

W25N01JWxxIG/IT



*spi*flash®

1.8V 1G-BIT

SERIAL SLC NAND FLASH MEMORY

DUAL/QUAD SPI WITH 166MHZ STR & 80MHZ DTR

BUFFER READ & CONTINUOUS READ



Table of Contents

1.	GENERAL DESCRIPTIONS.....	6
2.	FEATURES.....	6
3.	PACKAGE TYPES AND PIN CONFIGURATIONS	7
3.1	Pad Configuration WSON 8x6-mm	7
3.2	Pad Description WSON 8x6-mm.....	7
3.3	Pin Configuration SOIC 300-mil	8
3.4	Pin Description SOIC 300-mil.....	8
3.5	Ball Configuration TFBGA 8x6-mm (5x5-1 Ball Array).....	9
3.6	Ball Description TFBGA 8x6-mm	9
4.	PIN DESCRIPTIONS.....	10
4.1	Chip Select (/CS).....	10
4.2	Serial Data Input, Output and IOs (DI, DO and IO0, IO1, IO2, IO3)	10
4.3	Write Protect (/WP).....	10
4.4	HOLD (/HOLD)	10
4.5	Serial Clock (CLK)	10
4.6	Reset (/RESET).....	10
5.	BLOCK DIAGRAM.....	11
6.	FUNCTIONAL DESCRIPTIONS.....	12
6.1	Device Operation Flow	12
6.1.1	Standard SPI Instructions	12
6.1.2	Dual SPI Instructions.....	12
6.1.3	Quad SPI Instructions	13
6.1.4	DTR Read Instructions.....	13
6.1.5	Hold Function.....	13
6.1.6	Software Reset & Hardware /RESET pin	13
6.2	Write Protection	14
6.3	DLP (Data Learning Pattern).....	15
6.4	Interface states	16
7.	PROTECTION, CONFIGURATION AND STATUS REGISTERS	17
7.1	Protection Register / Status Register-1 (Volatile Writable, OTP lockable).....	17
7.1.1	Block Protect Bits (BP3, BP2, BP1, BP0, TB) – <i>Volatile Writable, OTP lockable</i>	17
7.1.2	Write Protection Enable Bit (WP-E) – <i>Volatile Writable, OTP lockable</i>	18
7.1.3	Status Register Protect Bits (SRP1, SRP0) – <i>Volatile Writable, OTP lockable</i>	18
7.2	Configuration Register / Status Register-2 (Volatile Writable	19
7.2.1	One Time Program Lock Bit (OTP-L) – <i>OTP lockable</i>	19
7.2.2	Enter OTP Access Mode Bit (OTP-E) – <i>Volatile Writable</i>	19
7.2.3	Status Register-1 Lock Bit (SR1-L) – <i>OTP lockable</i>	19
7.2.4	ECC Enable Bit (ECC-E) – <i>Volatile Writable</i>	20
7.2.5	Buffer Read / Continuous Read Mode Bit (BUF) – <i>Volatile Writable</i>	20
7.2.6	Quad Enable (QE) – <i>Volatile Writable</i>	20
7.3	Status Register-3 (Status only)	21
7.3.1	Look-Up Table Full (LUT-F) – <i>Status Only</i>	21
7.3.2	Cumulative ECC Status (ECC-1, ECC-0) – <i>Status Only</i>	21
7.3.3	Program/Erase Failure (P-FAIL, E-FAIL) – <i>Status Only</i>	22



7.3.4	Write Enable Latch (WEL) – <i>Status Only</i>	22
7.3.5	Read/Erase/Program in Progress (BUSY) – <i>Status Only</i>	22
7.4	Status Register-4 (Writable and Status).....	23
7.4.1	Output Driver Strength (ODS1, ODS0) – <i>Volatile Writable</i>	23
7.4.2	Data Learning Pattern Enable (DLP-E) – <i>Volatile Writable</i>	23
7.4.3	High Speed Enable (HS) – <i>Volatile Writable</i>	23
7.5	Extended Register.....	24
7.6	W25N01JW Status Register Memory Protection.....	25
8.	INSTRUCTIONS.....	26
8.1	Device ID and Instruction Set Tables.....	26
8.1.1	Manufacturer and Device Identification.....	26
8.1.2	Instruction Set Table 1 (Continuous Read, BUF = 0, xxIT Default Power Up Mode) ⁽¹¹⁾	27
8.1.3	Instruction Set Table 2 (Buffer Read, BUF = 1, xxIG Default Power Up Mode) ⁽¹²⁾	29
8.2	Instruction Descriptions.....	32
8.2.1	Device Reset (FFh).....	32
8.2.2	Enable Reset (66h) and Device Reset (99h).....	33
8.2.3	Read JEDEC ID (9Fh).....	34
8.2.4	Read Status Register (0Fh / 05h).....	35
8.2.5	Write Status Register (1Fh / 01h).....	36
8.2.6	Write Data Learning Pattern (4Ah).....	36
8.2.7	Write Enable (06h).....	37
8.2.8	Write Disable (04h).....	37
8.2.9	Bad Block Management (A1h).....	38
8.2.10	Read BBM Look Up Table (A5h).....	39
8.2.11	Last ECC Failure Page Address (A9h).....	40
8.2.12	Deep Power-down (B9h).....	41
8.2.13	Release Deep Power-down (ABh).....	42
8.2.14	128KB Block Erase (D8h).....	43
8.2.15	Load Program Data (02h) / Random Load Program Data (84h).....	44
8.2.16	Quad Load Program Data (32h) / Quad Random Load Program Data (34h).....	45
8.2.17	Program Execute (10h).....	46
8.2.18	Page Data Read (13h).....	47
8.2.19	Read Data (03h).....	48
8.2.20	Fast Read (0Bh).....	49
8.2.21	Fast Read with 4-Byte Address (0Ch).....	50
8.2.22	Fast Read Dual Output (3Bh).....	51
8.2.23	Fast Read Dual Output with 4-Byte Address (3Ch).....	52
8.2.24	Fast Read Quad Output (6Bh).....	53
8.2.25	Fast Read Quad Output with 4-Byte Address (6Ch).....	54
8.2.26	Fast Read Dual I/O (BBh).....	55
8.2.27	Fast Read Dual I/O with 4-Byte Address (BCh).....	56
8.2.28	Fast Read Quad I/O (EBh).....	57
8.2.29	Fast Read Quad I/O with 4-Byte Address (ECh).....	59
8.2.30	DTR Fast Read (0Dh).....	61
8.2.31	DTR Fast Read with 4-Byte Address (0Eh).....	62
8.2.32	DTR Fast Read Dual Output (3Dh).....	63
8.2.33	DTR Fast Read Quad Output (6Dh).....	64
8.2.34	DTR Fast Read Dual I/O (BDh).....	66



8.2.35	DTR Fast Read Dual I/O with 4-Byte Address (BEh)	67
8.2.36	DTR Fast Read Quad I/O (EDh)	68
8.2.37	DTR Fast Read Quad I/O with 4-Byte Address (EEh)	69
8.2.38	Accessing Unique ID / Parameter / OTP Pages (OTP-E=1)	71
8.2.39	Parameter Page Data Definitions	72
9.	ELECTRICAL CHARACTERISTICS	73
9.1	Absolute Maximum Ratings	73
9.2	Operating Ranges	73
9.3	Power-up Power-down Timing Requirements	74
9.4	DC Electrical Characteristics	75
9.5	AC Measurement Conditions	76
9.6	AC Electrical Characteristics	77
9.7	Serial Output Timing	79
9.8	Serial Input Timing	79
9.9	/HOLD Timing	80
9.10	/WP Timing	80
10.	INVALID BLOCK MANAGEMENT	81
10.1	Invalid Blocks	81
10.2	Initial Invalid Blocks	81
11.	PACKAGE SPECIFICATIONS	82
11.1	8-Pad WSON 8x6-mm (Package Code ZE)	82
11.2	16-Pin SOIC 300mil (Package Code SF)	83
11.3	24-Ball TFBGA 8x6-mm (Package Code TB, 5x5-1 Ball Array)	84
12.	ORDERING INFORMATION	85
12.1	Valid Part Numbers and Top Side Marking	86
13.	REVISION HISTORY	87

**List of Figures**

Figure 3-1 W25N01JW Pad Assignments, 8-pad WSON 8x6-mm (Package Code ZE)	7
Figure 3-2 W25N01JW Pin Assignments, 16-pin SOIC 300-mil (Package Code SF)	8
Figure 3-3 W25N01JW Ball Assignments, 24-ball TFBGA 8x6-mm (Package Code TB)	9
Figure 5-1 W25N01JW Flash Memory Architecture and Addressing	11
Figure 6-1 W25N01JW Flash Memory Operation Diagram	12
Figure 6-2 DLP (Data Learning Pattern) output example in DTR Fast Read Quad I/O (BUF=1).....	15
Figure 7-1 Protection Register / Status Register-1 (Address Axh)	17
Figure 7-2 Configuration Register / Status Register-2 (Address Bxh)	19
Figure 7-3 Status Register-3 (Address Cxh).....	21
Figure 7-4 Status Register-4 (Address Dxh).....	23
Figure 7-5 Extended Register	24
Figure 8-1 Device Reset Instruction (FFh).....	32
Figure 8-2 Device Reset Instruction (66h+99h)	33
Figure 8-3 Read JEDEC ID Instruction	34
Figure 8-4 Read Status Register Instruction.....	35
Figure 8-5 Write Status Register-1/2/3 Instruction.....	36
Figure 8-6 Write Data Learning Pattern	36
Figure 8-7 Write Enable Instruction	37
Figure 8-8 Write Disable Instruction.....	37
Figure 8-9 Bad Block Management Instruction.....	38
Figure 8-10 Read BBM Look Up Table Instruction	39
Figure 8-11 Last ECC Failure Page Address Instruction	40
Figure 8-12 Deep Power-down Instruction	41
Figure 8-13 Release Deep Power-down Instruction	42
Figure 8-14 128KB Block Erase Instruction	43
Figure 8-15 Load / Random Load Program Data Instruction.....	44
Figure 8-16 Quad Load / Quad Random Load Program Data Instruction	45
Figure 8-17 Program Execute Instruction	46
Figure 8-18 Page Data Read Instruction	47
Figure 8-19 Read Data Instruction (Buffer Read Mode, BUF=1).....	48
Figure 8-20 Read Data Instruction (Continuous Read Mode, BUF=0)	48
Figure 8-21 Fast Read Instruction (Buffer Read Mode, BUF=1)	49
Figure 8-22 Fast Read Instruction (Continuous Read Mode, BUF=0).....	49
Figure 8-23 Fast Read with 4-Byte Address Instruction (Buffer Read Mode, BUF=1)	50
Figure 8-24 Fast Read with 4-Byte Address Instruction (Continuous Read Mode, BUF=0)	50
Figure 8-25 Fast Read Dual Output Instruction (Buffer Read Mode, BUF=1)	51
Figure 8-26 Fast Read Dual Output Instruction (Continuous Read Mode, BUF=0)	51
Figure 8-27 Fast Read Dual Output with 4-Byte Address Instruction (Buffer Read Mode, BUF=1).....	52
Figure 8-28 Fast Read Dual Output with 4-Byte Address Instruction (Continuous Read Mode, BUF=0)	52
Figure 8-29 Fast Read Quad Output Instruction (Buffer Read Mode, BUF=1)	53
Figure 8-30 Fast Read Quad Output Instruction (Continuous Read Mode, BUF=0).....	53
Figure 8-31 Fast Read Quad Output with 4-Byte Address Instruction (Buffer Read Mode, BUF=1) ...	54



Figure 8-32 Fast Read Quad Output with 4-Byte Address Instruction (Continuous Read Mode, BUF=0) 54

Figure 8-33 Fast Read Dual I/O Instruction (Buffer Read Mode, BUF=1) 55

Figure 8-34 Fast Read Dual I/O Instruction (Continuous Read Mode, BUF=0) 55

Figure 8-35 Fast Read Dual I/O with 4-Byte Address Instruction (Buffer Read Mode, BUF=1)..... 56

Figure 8-36 Fast Read Dual I/O with 4-Byte Address Instruction (Continuous Read Mode, BUF=0) .. 56

Figure 8-37 Fast Read Quad I/O Instruction (Buffer Read Mode, BUF=1)..... 57

Figure 8-38 Fast Read Quad I/O Instruction (Continuous Read Mode, BUF=0) 58

Figure 8-39 Fast Read Quad I/O with 4-Byte Address Instruction (Buffer Read Mode, BUF=1) 59

Figure 8-40 Fast Read Quad I/O with 4-Byte Address Instruction (Continuous Read Mode, BUF=0). 60

Figure 8-41 DTR Fast Read Instruction (Buffer Read Mode, BUF=1)..... 61

Figure 8-42 DTR Fast Read Instruction (Continuous Read Mode, BUF=0) 61

Figure 8-43 DTR Fast Read with 4-Byte Address Instruction (Buffer Read Mode, BUF=1)..... 62

Figure 8-44 DTR Fast Read with 4-Byte Address Instruction (Continuous Read Mode, BUF=0) 62

Figure 8-45 DTR Fast Read Dual Output Instruction (Buffer Read Mode, BUF=1) 63

Figure 8-46 DTR Fast Read Dual Output Instruction (Continuous Read Mode, BUF=0)..... 63

Figure 8-47 DTR Fast Read Quad Output Instruction (Buffer Read Mode, BUF=1) 64

Figure 8-48 DTR Fast Read Quad Output Instruction (Continuous Read Mode, BUF=0) 65

Figure 8-49 DTR Fast Read Dual I/O Instruction (Buffer Read Mode, BUF=1) 66

Figure 8-50 DTR Fast Read Dual I/O Instruction (Continuous Read Mode, BUF=0)..... 66

Figure 8-51 DTR Fast Read Dual I/O with 4-Byte Address Instruction (Buffer Read Mode, BUF=1) .. 67

Figure 8-52 DTR Fast Read Dual I/O with 4-Byte Address Instruction (Continuous Read Mode, BUF=0) 67

Figure 8-53 DTR Fast Read Quad I/O Instruction (Buffer Read Mode, BUF=1) 68

Figure 8-54 DTR Fast Read Quad I/O Instruction (Continuous Read Mode, BUF=0) 68

Figure 8-55 DTR Fast Read Quad I/O with 4-Byte Address Instruction (Buffer Read Mode, BUF=1) . 69

Figure 8-56 DTR Fast Read Quad I/O Instruction (Continuous Read Mode, BUF=0) 70

Figure 9-1 Power-up Timing and Voltage Levels..... 74

Figure 9-2 Power-up, Power-Down Requirement 74

Figure 9-3 AC Measurement I/O Waveform 76

Figure 9-4 Serial Output Timing (STR) 79

Figure 9-5 Serial Output Timing (DTR) 79

Figure 9-6 Serial Input Timing (STR) 79

Figure 9-7 Serial Input Timing (DTR)..... 79

Figure 9-8 /HOLD Timing 80

Figure 9-9 /WP Timing 80

Figure 10-1 Flow Chart of Create Initial Invalid Block Table..... 81

Figure 11-1 8-Pad WSON 8x6-mm (Package Code ZE) 82

Figure 11-2 16-Pin SOIC 300mil (Package Code SF) 83

Figure 11-3 24-Ball TFBGA 8x6-mm (Package Code TB, 5x5-1 Ball Array) 84



1. GENERAL DESCRIPTIONS

The W25N01JW (1G-bit) Serial SLC NAND Flash Memory provides a storage solution for systems with limited space, pins and power. The W25N SpiFlash family incorporates the popular SPI interface and the traditional large NAND non-volatile memory space. The device operates on a single 1.70V to 1.95V power supply with current consumption as low as 25mA active and 10µA for standby. All W25N SpiFlash family devices are offered in space-saving packages which were impossible to use in the past for the typical NAND flash memory.

The W25N01JW 1G-bit memory array is organized into 65,536 programmable pages of 2,048-Byte each. The entire page can be programmed at one time using the data from the 2,048-Byte internal buffer. Pages can be erased in groups of 64 (128KB block erase). The W25N01JW has 1,024 erasable blocks.

The W25N01JW supports the standard Serial Peripheral Interface (SPI), Dual/Quad I/O SPI: Serial Clock, Chip Select, Serial Data I/O0 (DI), I/O1 (DO), I/O2 (/WP), and I/O3 (/HOLD). SPI clock frequencies of up to 166MHz are supported allowing equivalent clock rates of 332MHz (166MHz x 2) for Dual I/O and 664MHz (166MHz x 4) for Quad I/O when using the Fast Read Dual/Quad I/O instructions. The W25N01JW adds support for DTR (Double Transfer Rate) commands that transfer addresses and read data on both edges of the clock.

The W25N01JW provides a new Continuous Read Mode that allows for efficient access to the entire memory array with a single Read command. This feature is ideal for code shadowing applications.

A Hold pin, Write Protect pin and programmable write protection, provide further control flexibility. Additionally, the device supports JEDEC standard manufacturer and device ID, one 2,048-Byte Unique ID page, one 2,048-Byte parameter page and ten 2,048-Byte OTP pages. To provide better NAND flash memory manageability, user configurable internal ECC, Bad block management are also available in W25N01JW.

2. FEATURES

- **New W25N Family of SpiFlash Memories**
 - W25N01JW: 1G-bit / 128M-Byte
 - Standard SPI: CLK, /CS, DI, DO, /WP, /Hold,
 - Dual SPI: CLK, /CS, IO₀, IO₁, /WP, /Hold
 - Quad SPI: CLK, /CS, IO₀, IO₁, IO₂, IO₃
 - Compatible SPI Serial Flash commands
- **Highest Performance Serial NAND Flash**
 - 166MHz Standard/Dual/Quad SPI clocks
 - 332/664MHz equivalent Dual/Quad SPI
 - DTR (Dual Transfer Rate) up to 80MHz
 - 80MB/s continuous data transfer rate
 - Fast Program/Erase performance
 - More than 100,000 erase/program cycles
 - More than 10-year data retention
- **Efficient “Continuous Read Mode”⁽¹⁾**
 - Alternative method to the Buffer Read Mode
 - No need to issue “Page Data Read” between Read commands
 - Allows direct read access to the entire array
- **Low Power, Wide Temperature Range**
 - Single 1.70 to 1.95V power supply
 - 25mA active, 10µA standby current
 - -40°C to +85/+105°C operating range
- **Flexible Architecture with 128KB blocks**
 - Uniform 128K-Byte Block Erase
 - Flexible page data load methods
- **Advanced Features**
 - On-chip 1-Bit ECC for memory array
 - ECC status bits indicate ECC results
 - Bad block management and LUT⁽²⁾ access
 - Software and Hardware Write-Protect
 - Power Supply Lock-Down and OTP protection
 - 2KB Unique ID and 2KB parameter pages
 - Ten 2KB OTP pages⁽³⁾
- **Space Efficient Packaging**
 - 8-pad WSON 8x6-mm
 - 16-pin SOIC-300mil
 - 24-ball TFBGA 8x6-mm
 - Contact Winbond for other package options

Notes:

1. Only the Read command structures are different between the “Continuous Read Mode (BUF=0)” and the “Buffer Read Mode (BUF=1)”, all other commands are identical.
W25N01JWxxIG: Default BUF=1 after power up
W25N01JWxxIT: Default BUF=0 after power up
2. LUT stands for Look-Up Table.
3. OTP pages can only be programmed.
4. Endurance specification is based on the on-chip ECC or 1bit/528 byte ECC(Error Correcting Code)



3. PACKAGE TYPES AND PIN CONFIGURATIONS

W25N01JW is offered in an 8-pad WSON 8x6-mm (package code ZE), 160pin SOIC-300mil (package code SF), and 24-ball 8x6-mm TFBGA (package code TB) packages as shown in Figure 3-1, 3-2 and 3-3 respectively. Package diagrams and dimensions are illustrated at the end of this datasheet.

3.1 Pad Configuration WSON 8x6-mm

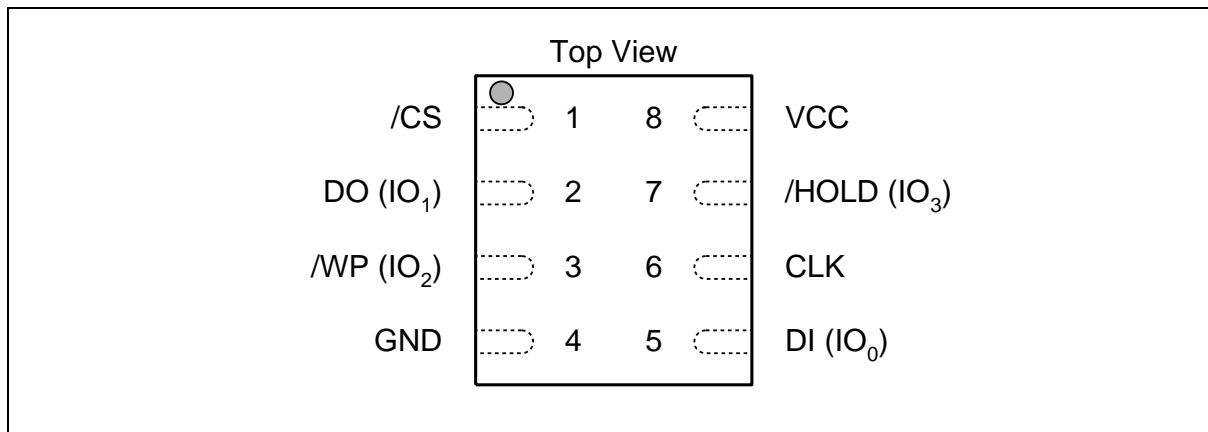


Figure 3-1 W25N01JW Pad Assignments, 8-pad WSON 8x6-mm (Package Code ZE)

3.2 Pad Description WSON 8x6-mm

PAD NO.	PAD NAME	I/O	FUNCTION
1	/CS	I	Chip Select Input
2	DO (IO ₁)	I/O	Data Output (Data Input Output 1) ⁽¹⁾
3	/WP (IO ₂)	I/O	Write Protect Input (Data Input Output 2) ⁽²⁾
4	GND		Ground
5	DI (IO ₀)	I/O	Data Input (Data Input Output 0) ⁽¹⁾
6	CLK	I	Serial Clock Input
7	/HOLD (IO ₃)	I/O	Hold Input (Data Input Output 3) ⁽²⁾
8	VCC		Power Supply

Notes:

1. IO₀ and IO₁ are used for Standard and Dual SPI instructions
2. IO₀ – IO₃ are used for Quad SPI instructions, /WP & /HOLD functions are only available for Standard/Dual SPI.



3.3 Pin Configuration SOIC 300-mil

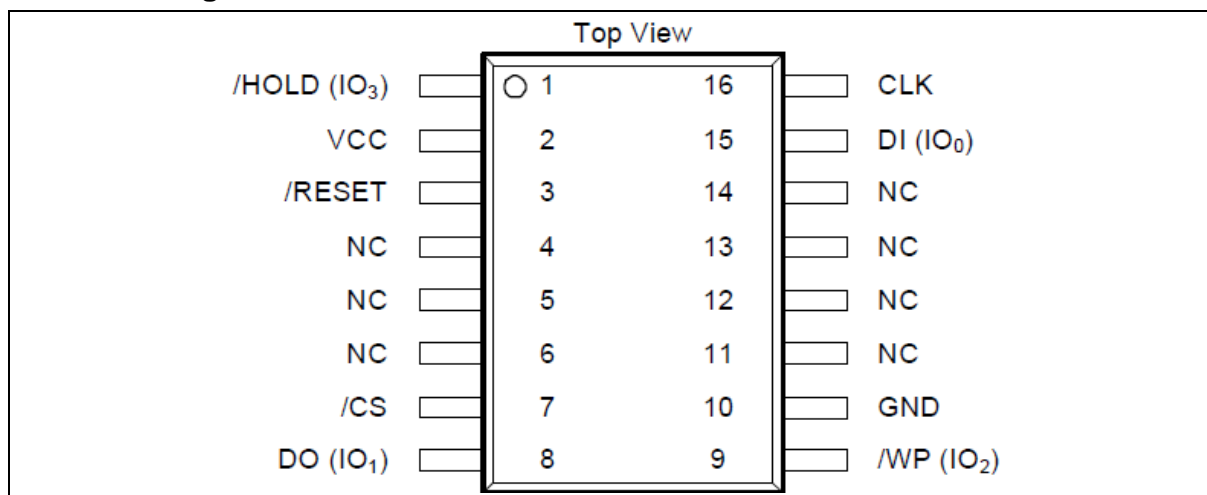


Figure 3-2 W25N01JW Pin Assignments, 16-pin SOIC 300-mil (Package Code SF)

3.4 Pin Description SOIC 300-mil

PIN NO.	PIN NAME	I/O	FUNCTION
1	/HOLD (IO3)	I/O	Hold Input (Data Input Output 3) ⁽²⁾
2	VCC		Power Supply
3	/RESET	I	Reset Input ⁽³⁾
4	N/C		No Connect
5	N/C		No Connect
6	N/C		No Connect
7	/CS	I	Chip Select Input
8	DO (IO1)	I/O	Data Output (Data Input Output 1) ⁽¹⁾
9	/WP (IO2)	I/O	Write Protect Input (Data Input Output 2) ⁽²⁾
10	GND		Ground
11	N/C		No Connect
12	N/C		No Connect
13	N/C		No Connect
14	N/C		No Connect
15	DI (IO0)	I/O	Data Input (Data Input Output 0) ⁽¹⁾
16	CLK	I	Serial Clock Input

Notes:

1. IO0 and IO1 are used for Standard and Dual SPI instructions
2. IO0 – IO3 are used for Quad SPI instructions, /WP & /HOLD functions are only available for Standard/Dual SPI.
3. The /RESET pin on SOIC-16 package is a dedicated hardware reset pin.



3.5 Ball Configuration TFBGA 8x6-mm (5x5-1 Ball Array)

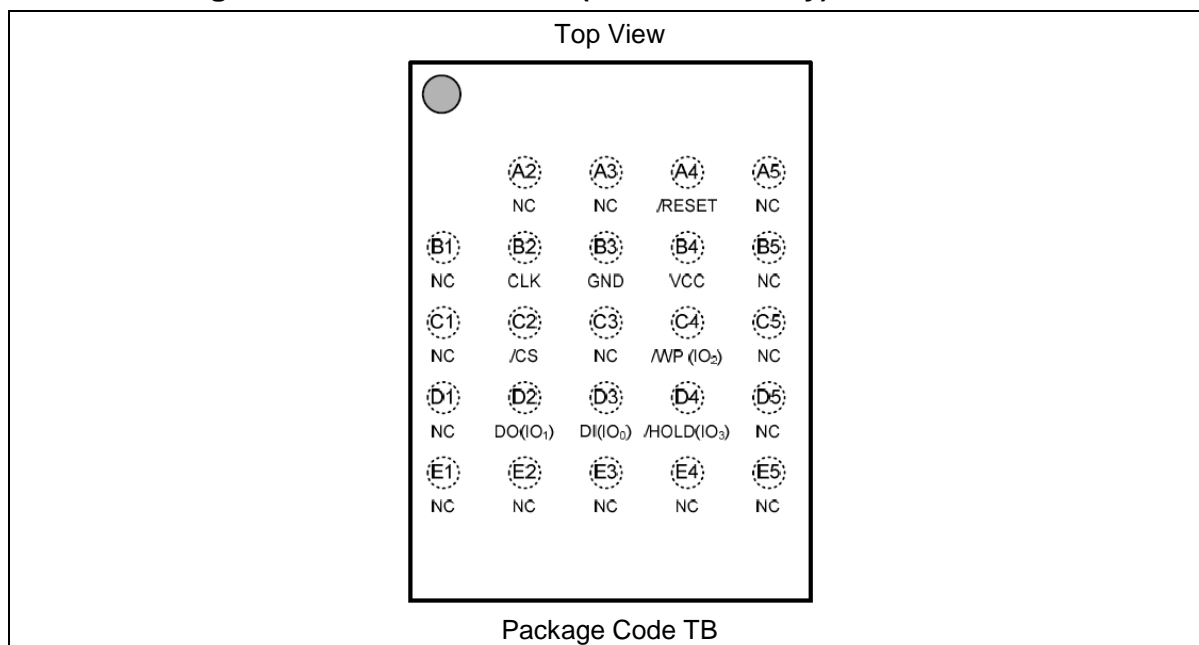


Figure 3-3 W25N01JW Ball Assignments, 24-ball TFBGA 8x6-mm (Package Code TB)

3.6 Ball Description TFBGA 8x6-mm

BALL NO.	PIN NAME	I/O	FUNCTION
A4	/RESET	I	Reset Input
B2	CLK	I	Serial Clock Input
B3	GND		Ground
B4	VCC		Power Supply
C2	/CS	I	Chip Select Input
C4	/WP (IO ₂)	I/O	Write Protect Input (Data Input Output 2) ⁽²⁾
D2	DO (IO ₁)	I/O	Data Output (Data Input Output 1) ⁽¹⁾
D3	DI (IO ₀)	I/O	Data Input (Data Input Output 0) ⁽¹⁾
D4	/HOLD (IO ₃)	I/O	Hold Input (Data Input Output 3) ⁽²⁾
Multiple	NC		No Connect

Notes:

- IO₀ and IO₁ are used for Standard and Dual SPI instructions
- IO₀ – IO₃ are used for Quad SPI instructions, /WP & /HOLD functions are only available for Standard/Dual SPI.
- The /RESET pin on TFBGA 24 package is a dedicated hardware reset pin.



4. PIN DESCRIPTIONS

4.1 Chip Select (/CS)

The SPI Chip Select (/CS) pin enables and disables device operation. When /CS is high the device is deselected and the Serial Data Output (DO, or IO0, IO1, IO2, IO3) pins are at high impedance. When deselected, the devices power consumption will be at standby levels unless an internal erase, program or write status register cycle is in progress. When /CS is brought low the device will be selected, power consumption will increase to active levels and instructions can be written to and data read from the device. After power-up, /CS must transition from high to low before a new instruction will be accepted. The /CS input must track the VCC supply level at power-up and power-down (see "Write Protection" and "Power-up Power-down Timing Requirements"). If needed, a pull-up resistor on the /CS pin can be used to accomplish this.

4.2 Serial Data Input, Output and IOs (DI, DO and IO0, IO1, IO2, IO3)

The W25N01JW supports standard SPI, Dual SPI and Quad SPI operation. Standard SPI instructions use the unidirectional DI (input) pin to serially write instructions, addresses or data to the device on the rising edge of the Serial Clock (CLK) input pin. Standard SPI also uses the unidirectional DO (output) to read data or status from the device on the falling edge of CLK.

Dual and Quad SPI instructions use the bidirectional IO pins to serially write instructions, addresses or data to the device on the rising edge of CLK and read data or status from the device on the falling edge of CLK.

4.3 Write Protect (/WP)

The Write Protect (/WP) pin can be used to prevent the Status Register from being written. Used in conjunction with the Status Register's Block Protect bits BP[3:0] and Status Register Protect SRP bits SRP[1:0], a portion as small as 256K-Byte (2x128KB blocks) or up to the entire memory array can be hardware protected. The WP-E bit in the Protection Register (SR-1) controls the functions of the /WP pin. When QE=1, the /WP pin function is not available since this pin is used for IO2.

When WP-E=0, the device is in the Software Protection mode that only SR-1 can be protected. The /WP pin functions as a data I/O pin for the Quad SPI operations, as well as an active low input pin for the Write Protection function for SR-1. Refer to section 7.1.3 for detail information.

When WP-E=1, the device is in the Hardware Protection mode that /WP becomes a dedicated active low input pin for the Write Protection of the entire device. If /WP is tied to GND, all "Write/Program/Erase" functions are disabled. The entire device (including all registers, memory array and OTP pages) will become read-only. Quad SPI read operations are also disabled when WP-E is set to 1.

4.4 HOLD (/HOLD)

During Standard and Dual SPI operations, the /HOLD pin allows the device to be paused while it is actively selected. When /HOLD is brought low, while /CS is low, the DO pin will be at high impedance and signals on the DI and CLK pins will be ignored (don't care). When /HOLD is brought high, device operation can resume. The /HOLD function can be useful when multiple devices are sharing the same SPI signals. The /HOLD pin is active low. When QE=1 or DTR operation is enabled, the /HOLD pin function is not available since this pin is used for IO3. The system has to drive high to /HOLD (IO3), or has to put an external pull-up resistor on the PCB.

4.5 Serial Clock (CLK)

The SPI Serial Clock Input (CLK) pin provides the timing for serial input and output operations. (see "SPI Operations")

4.6 Reset (/RESET)

The /RESET pin allows the device to be reset by the controller, and provides hardware level resetting. This is highest priority among all the input signals. The pin is adopted on SoP16 and TFBGA24.



5. BLOCK DIAGRAM

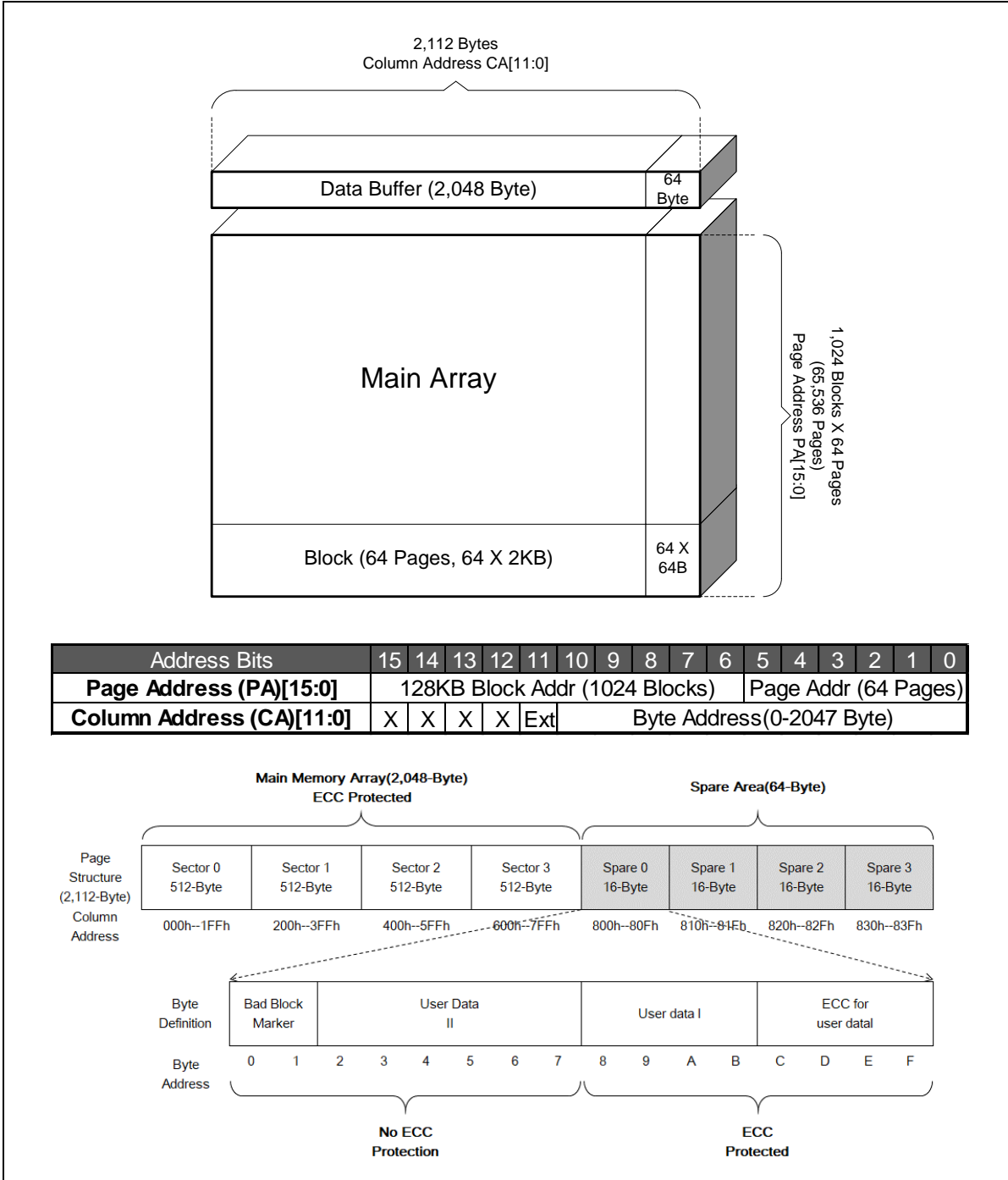


Figure 5-1 W25N01JW Flash Memory Architecture and Addressing



6. FUNCTIONAL DESCRIPTIONS

6.1 Device Operation Flow

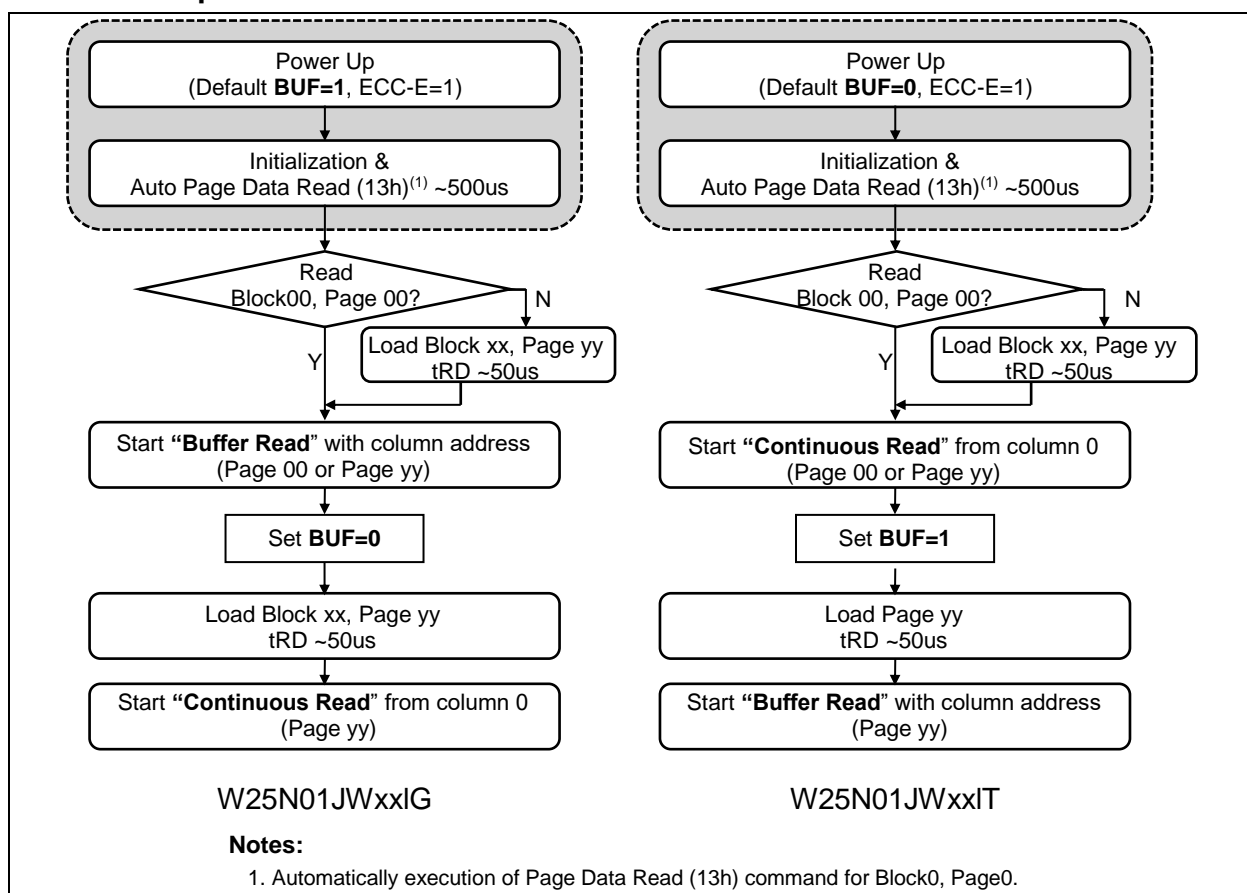


Figure 6-1 W25N01JW Flash Memory Operation Diagram

6.1.1 Standard SPI Instructions

The W25N01JW is accessed through an SPI compatible bus consisting of four signals: Serial Clock (CLK), Chip Select (/CS), Serial Data Input (DI) and Serial Data Output (DO). Standard SPI instructions use the DI input pin to serially write instructions, addresses or data to the device on the rising edge of CLK. The DO output pin is used to read data or status from the device on the falling edge of CLK.

SPI bus operation Mode 0 (0, 0) and 3 (1, 1) are supported. The primary difference between Mode 0 and Mode 3 concerns the normal state of the CLK signal when the SPI bus master is in standby and data is not being transferred to the Serial Flash. For Mode 0, the CLK signal is normally low on the falling and rising edges of /CS. For Mode 3, the CLK signal is normally high on the falling and rising edges of /CS.

6.1.2 Dual SPI Instructions

The W25N01JW supports Dual SPI operation when using instructions such as "Fast Read Dual Output (3Bh)", "Fast Read Dual I/O (BBh)", "DTR Fast Read Dual Output (3Dh)" and "DTR Fast Read Dual I/O (BDh)". These instructions allow data to be transferred to or from the device at two to three times the rate of ordinary Serial Flash devices. The Dual SPI Read instructions are ideal for quickly downloading code to RAM upon power-up (code-shadowing) or for executing non-speed-critical code directly from the SPI bus (XIP). When using Dual SPI instructions, the DI and DO pins become bidirectional I/O pins: IO0 and IO1.



6.1.3 Quad SPI Instructions

The W25N01JW supports Quad SPI operation when using instructions such as “Fast Read Quad Output (6Bh)”, “Fast Read Quad I/O (EBh)”, “DTR Fast Read Quad Output (6Dh)”, “DTR Fast Read Quad I/O (EDh)” and “Quad Program Data Load (32h/34h)”. These instructions allow data to be transferred to or from the device four to six times the rate of ordinary Serial Flash. The Quad Read instructions offer a significant improvement in continuous and random access transfer rates allowing fast code-shadowing to RAM or execution directly from the SPI bus (XIP). When using Quad SPI instructions the DI and DO pins become bidirectional IO0 and IO1, and the /WP and /HOLD pins become IO2 and IO3 respectively.

6.1.4 DTR Read Instructions

To effectively improve the read operation throughput without increasing the serial clock frequency, W25N01JW introduces DTR (Double Transfer Rate) Read instructions that support Standard/Dual/Quad SPI modes. The byte-long instruction code is latched into the device on the rising edge of the serial clock similar to all other SPI instructions. Once a DTR instruction code is accepted by the device, the address input and data output will be latched on both rising and falling edges of the serial clock.

6.1.5 Hold Function

For Standard SPI and Dual SPI operations, the /HOLD signal allows the W25N01JW operation to be paused while it is actively selected (when /CS is low). The /HOLD function may be useful in cases where the SPI data and clock signals are shared with other devices. For example, consider if the page buffer was only partially written when a priority interrupt requires use of the SPI bus. In this case the /HOLD function can save the state of the instruction and the data in the buffer so programming can resume where it left off once the bus is available again. The /HOLD function is only available for standard SPI and Dual SPI operation, not during Quad SPI. When QE=1 or DTR operation is enabled, the /HOLD function is not available.

To initiate a /HOLD condition, the device must be selected with /CS low. A /HOLD condition will activate on the falling edge of the /HOLD signal if the CLK signal is already low. If the CLK is not already low the /HOLD condition will activate after the next falling edge of CLK. The /HOLD condition will terminate on the rising edge of the /HOLD signal if the CLK signal is already low. If the CLK is not already low the /HOLD condition will terminate after the next falling edge of CLK. During a /HOLD condition, the Serial Data Output (DO) is high impedance, and Serial Data Input (DI) and Serial Clock (CLK) are ignored. The Chip Select (/CS) signal should be kept active (low) for the full duration of the /HOLD operation to avoid resetting the internal logic state of the device.

6.1.6 Software Reset & Hardware /RESET pin

The W25N01JW can be reset to the initial state by a software Reset sequence, either in SPI mode or QPI mode. If host uses NOR compatible software reset, this sequence must include two consecutive instructions: Enable Reset (66h) & Reset (99h). If the command sequence is successfully accepted, the device will take approximately tRST to reset. No command will be accepted during the reset period.

For the SOIC-16 and TFBGA package types, W25N01JW provides a dedicated /RESET pin. Drive /RESET pin low for a minimum period of ~1us (tRESET) will reset the device to its initial power-on state. It takes same busy time with power-on because Hardware /RESET goes into the same state of after power-on.

Hardware /RESET pin has the highest priority among all the input signals. Driver /RESET low for a minimum of ~1us (tRESET) will interrupt any on-going external/internal operations, regardless the status of other SPI signals (/CS, CLK, IOs, /WP and /HOLD).

Note:

- 1: While a faster /RESET pulse (as short as a few hundred nanoseconds) will often reset the device, a 1us minimum pulse is recommended to ensure reliable operation.
- 2: There is an internal pull-up resistor for the dedicated /RESET pin on SOIC-16 and TFBGA package. If the reset function is not used, this pin can be left floating in the system.



6.2 Write Protection

Applications that use non-volatile memory must take into consideration the possibility of noise and other adverse system conditions that may compromise data integrity. To address this concern, the W25N01JW provides several means to protect the data from inadvertent writes.

- Device resets when VCC is below threshold
- Write enable/disable instructions and automatic write disable after erase or program
- Software and Hardware (/WP pin) write protection using Protection Register (SR-1)
- Lock Down write protection for Protection Register (SR-1) until the next power-up
- One Time Program (OTP) write protection for memory array using Protection Register (SR-1)
- Hardware write protection using /WP pin when WP-E is set to 1

Upon power-up or at power-down, the W25N01JW will maintain a reset condition while VCC is below the threshold value of V_{WI} , (see "Power-up Power-down Timing Requirements"). While reset, all operations are disabled and no instructions are recognized. During power-up and after the VCC voltage exceeds V_{WI} , all program and erase related instructions are further disabled for a time delay of t_{PUW} . This includes the Write Enable, Program Execute, Block Erase and the Write Status Register instructions. Note that the chip select pin (/CS) must track the VCC supply level at power-up until the VCC-min level and t_{VSL} time delay is reached, and it must also track the VCC supply level at power-down to prevent adverse command sequence. If needed a pull-up resistor on /CS can be used to accomplish this.

After power-up the device is automatically placed in a write-disabled state with the Status Register Write Enable Latch (WEL) set to a 0. A Write Enable instruction must be issued before a Program Execute or Block Erase or Bad Block Management instruction will be accepted. After completing a program or erase instruction the Write Enable Latch (WEL) is automatically cleared to a write-disabled state of 0.

Software controlled write protection is facilitated using the Write Status Register instruction and setting the Status Register Protect (SRP0, SRP1) and Block Protect (TB, BP[3:0]) bits. These settings allow a portion or the entire memory array to be configured as read only. Used in conjunction with the Write Protect (/WP) pin, changes to the Status Register can be enabled or disabled under hardware control. See Protection Register section for further information.

The WP-E bit in Protection Register (SR-1) is used to enable the hardware protection. When WP-E is set to 1, bringing /WP low in the system will block any Write/Program/Erase command to the W25N01JW, the device will become read-only. The Quad SPI operations are also disabled when WP-E is set to 1.

When QE=1, the Write Protection function is not available.



6.3 DLP (Data Learning Pattern)

For Quad DTR Read commands (6Dh, EDh, EEh), a pre-defined "Data Learning Pattern" can be used by the flash memory controller to determine the flash data output timing on 4 I/O pins.

When DLP-E=1, during the last 4 dummy clocks just prior to the data output, W25N01JW will output "00110100" Data Learning Pattern sequence on each of the 4 I/O pins. During this period, controller can fine tune the data latching timing for each I/O pins to achieve optimum system performance. DLP-E=0 will disable the Data Learning Pattern output.

The Data Learning Pattern can also be defined by a "Write Data Learning Pattern (4Ah)" command followed by 8-bits user-defined pattern. The user-defined pattern is volatile. After device power cycle, the Data Learning Pattern will return to its "00110100" default value.

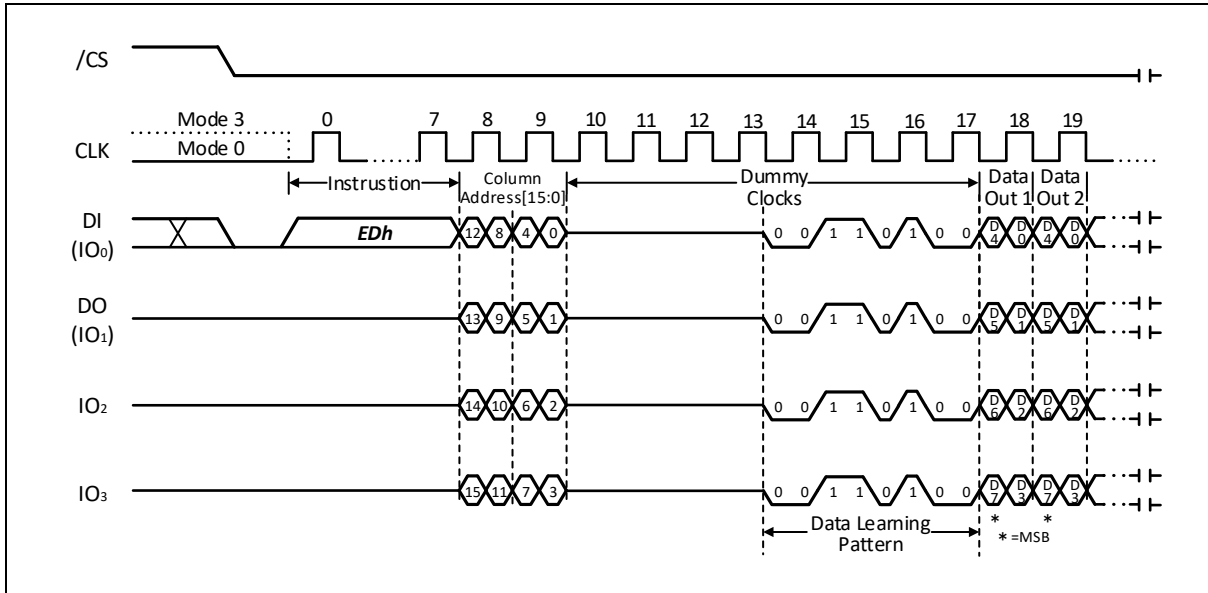


Figure 6-2 DLP (Data Learning Pattern) output example in DTR Fast Read Quad I/O (BUF=1)



6.4 Interface states

This section describes the input and output signal levels.

State	Transfer Rate	/RESET	/CS	CLK	/HOLD (IO3)	/WP (IO2)	DO (IO1)	DI (IO0)
Power-off	STR/DTR	X	X	X	X	X	Z	X
Power-on Reset	STR/DTR	*2	*2	X	X	X	Z	X
Reset (during tRST)	STR/DTR	H	X	X	X	X	Z	X
HW Reset	STR/DTR	L	X	X	X	X	Z	X
Interface Standby	STR/DTR	H	H	X	X	X	Z	X
Hold Cycle	STR only	H	L	L or H or T	L	X	Z*1	X
Instruction Cycle	DTR	H	L	T	H	X	Z	(Input)
Single Input Cycle	STR	H	L	T	H	X	Z	(Input)
	DTR	H	L	T	X	X	Z	(Input)
Single Dummy Cycle	STR	H	L	T	H	X	Z	Z
	DTR	H	L	T	X	X	Z	Z
Single Output Cycle	STR	H	L	T	H	X	(Output)	X
	DTR	H	L	T	X	X	(Output)	X
Dual Input Cycle	STR	H	L	T	H	X	(Input)	(Input)
	DTR	H	L	T	X	X	(Input)	(Input)
Dual Dummy Cycle	STR	H	L	T	H	X	Z	Z
	DTR	H	L	T	X	X	Z	Z
Dual Output Cycle	STR	H	L	T	H	X	(Output)	(Output)
	DTR	H	L	T	X	X	(Output)	(Output)
Quad Input Cycle	STR	H	L	T	(Input)	(Input)	(Input)	(Input)
	DTR	H	L	T	(Input)	(Input)	(Input)	(Input)
Quad Dummy Cycle	STR	H	L	T	Z	Z	Z	Z
	DTR	H	L	T	Z	Z	Z	Z
Quad Output Cycle	STR	H	L	T	(Output)	(Output)	(Output)	(Output)
	DTR	H	L	T	(Output)	(Output)	(Output)	(Output)

H= High input/output level

L= Low input/output level

Z= Hi-Z

X= H or L level

T= Toggling between H and L

*1: During input sequence in Dual or Quad mode, this states is "X".

*2: Refer to Fig 9.2



7. PROTECTION, CONFIGURATION AND STATUS REGISTERS

Three Status Registers are provided for W25N01JW: Protection Register (SR-1), Configuration Register (SR-2) & Status Register (SR-3). Each register is accessed by Read Status Register and Write Status Register commands combined with 1-Byte Register Address respectively.

The Read Status Register instruction (05h / 0Fh) can be used to provide status on the availability of the flash memory array, whether the device is write enabled or disabled, the state of write protection, Read modes, Protection Register/OTP area lock status, Erase/Program results and ECC usage/status.

The Write Status Register instruction can be used to configure the device write protection features, Software/Hardware write protection, Read modes and enable/disable ECC, Protection Register/OTP area lock, enable/disable Data Learning Pattern, number of dummy clocks, enable/disable Quad operation. Write access to the Status Register is controlled by the state of the non-volatile Status Register Protect bits (SRP0, SRP1), the Write Enable instruction, and when WP-E is set to 1, the /WP pin.

7.1 Protection Register / Status Register-1 (Volatile Writable, OTP lockable)

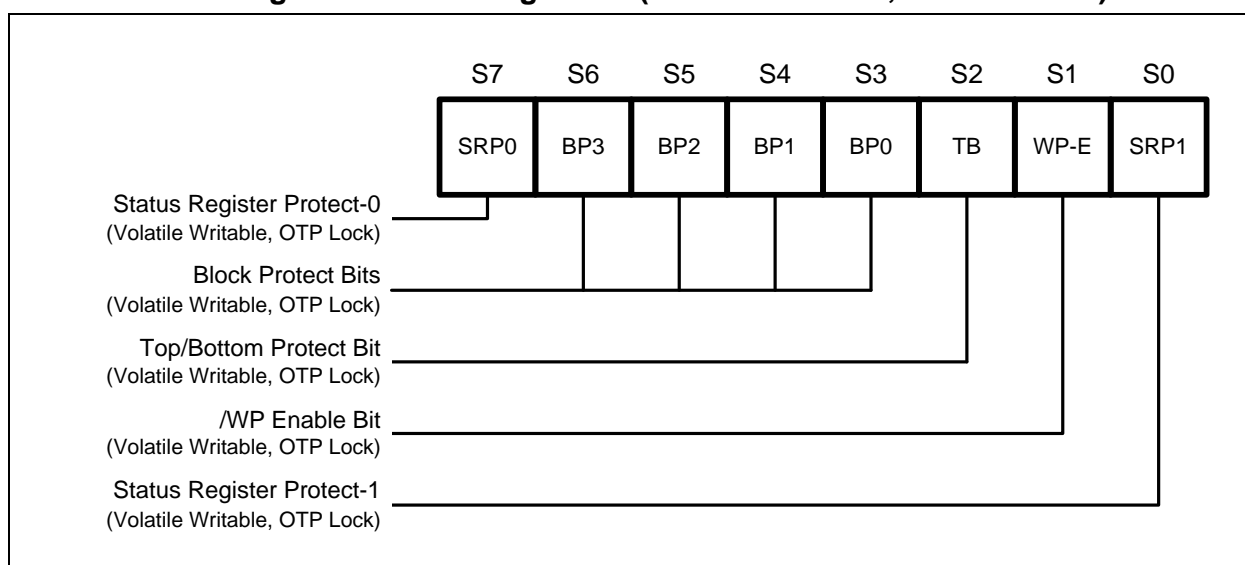


Figure 7-1 Protection Register / Status Register-1 (Address Axh)

7.1.1 Block Protect Bits (BP3, BP2, BP1, BP0, TB) – Volatile Writable, OTP lockable

The Block Protect bits (BP3, BP2, BP1, BP0 & TB) are volatile read/write bits in the status register-1 (S6, S5, S4, S3 & S2) that provide Write Protection control and status. Block Protect bits can be set using the Write Status Register Instruction. All, none or a portion of the memory array can be protected from Program and Erase instructions (see Status Register Memory Protection table). The default values for the Block Protection bits are 1 after power up to protect the entire array. If the SR1-L bit in the Configuration Register (SR-2) is set to 1, the default values will be the values that are OTP locked.



7.1.2 Write Protection Enable Bit (WP-E) – Volatile Writable, OTP lockable

The Write Protection Enable bit (WP-E) is a volatile read/write bits in the status register-1 (S1). The WP-E bit, in conjunction with SRP1 & SRP0, controls the method of write protection: software protection, hardware protection, power supply lock-down or one time programmable (OTP) protection, /WP pin functionality, and Quad SPI operation enable/disable. When WP-E = 0 (default value), the device is in Software Protection mode, /WP & /HOLD pins are multiplexed as IO pins, and Quad program/read functions are enabled all the time. When WP-E is set to 1, the device is in Hardware Protection mode, all Quad functions are disabled and /WP & /HOLD pins become dedicated control input pins.

7.1.3 Status Register Protect Bits (SRP1, SRP0) – Volatile Writable, OTP lockable

The Status Register Protect bits (SRP1 and SRP0) are volatile read/write bits in the status register (S0 and S7). The SRP bits control the method of write protection: software protection, hardware protection, power supply lock-down or one time programmable (OTP) protection.

Software Protection (Driven by Controller, WP-E is disabled)					
SRP1	SRP0	WP-E	/WP/IO2	QE	Descriptions
0	0	0	X	0	No /WP functionality
0	1	0	0	0	SR-1 cannot be changed (/WP = 0 during Write Status)
0	1	0	1	0	SR-1 can be changed (/WP = 1 during Write Status)
1	0	0	X	0	Power Lock Down ⁽¹⁾ SR-1
1	1	0	X	0	Enter OTP mode to protect SR-1 (allow SR1-L=1)
0	0	0	X	1	No /WP functionality /WP pin will always function as IO2
0	1	0	X	1	SR-1 can be changed /WP pin will function as IO2 for Quad operations
1	0	0	X	1	Power Lock Down ⁽¹⁾ SR-1 /WP pin will always function as IO2
1	1	0	X	1	Enter OTP mode to protect SR-1 (allow SR1-L=1) /WP pin will always function as IO2

Hardware Protection (System Circuit / PCB layout, Quad Program/Read is disabled)					
SRP1	SRP0	WP-E	/WP only	QE	Descriptions
0	X	1	VCC	0	SR-1 can be changed
1	0	1	VCC	0	Power Lock-Down ⁽¹⁾ SR-1
1	1	1	VCC	0	Enter OTP mode to protect SR-1 (allow SR1-L=1)
X	X	1	GND	0	All "Write/Program/Erase" commands are blocked Entire device (SRs, Array, OTP area) is read-only

Notes:

1. When SRP1, SRP0 = (1, 0), a power-down, power-up cycle will change SRP1, SRP0 to (0, 0) state.
2. When WP-E=1, QE bit have to be ignored.



7.2 Configuration Register / Status Register-2 (Volatile Writable)

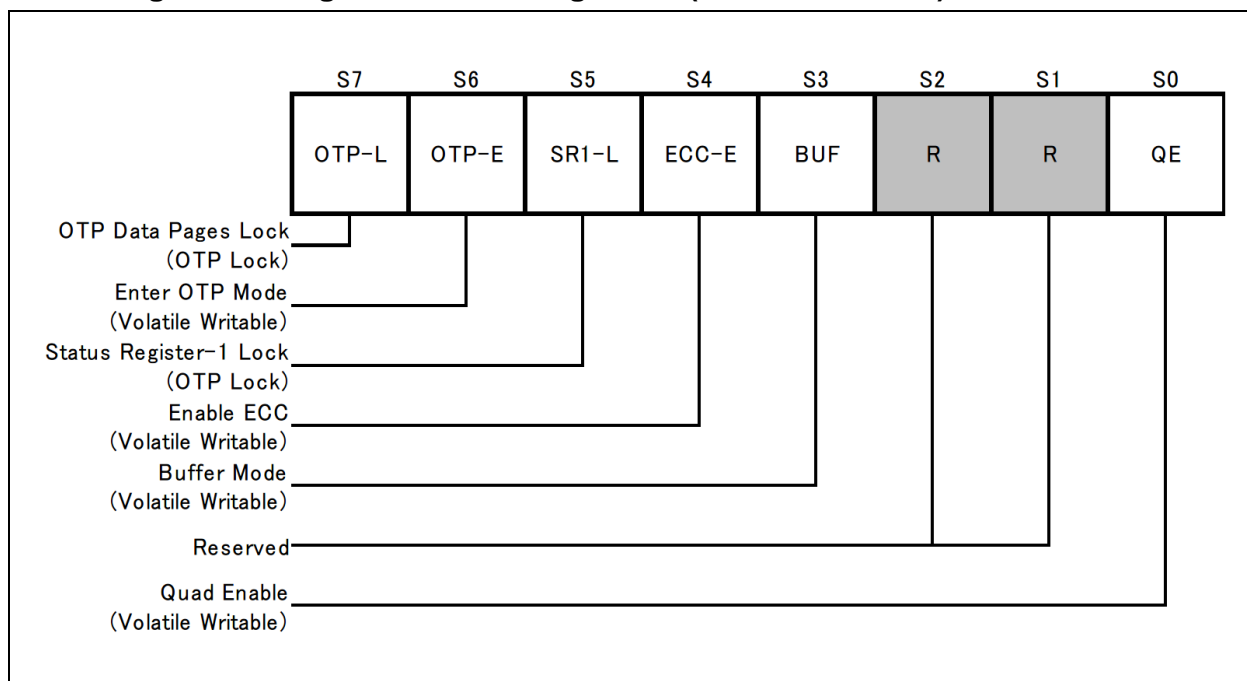


Figure 7-2 Configuration Register / Status Register-2 (Address Bxh)

7.2.1 One Time Program Lock Bit (OTP-L) – OTP lockable

In addition to the main memory array, W25N01JW also provides an OTP area for the system to store critical data that cannot be changed once it's locked. The OTP area consists of 10 pages of 2,112-Byte each. The default data in the OTP area are FFh. Only Program command can be issued to the OTP area to change the data from "1" to "0", and data is not reversible ("0" to "1") by the Erase command. Once the correct data is programmed in and verified, the system developer can set OTP-L bit to 1, so that the entire OTP area will be locked to prevent further alteration to the data.

7.2.2 Enter OTP Access Mode Bit (OTP-E) – Volatile Writable

The OTP-E bit must be set to 1 in order to use the standard Program/Read commands to access the OTP area as well as to read the Unique ID / Parameter Page information. The default value after power up or a RESET command is 0.

7.2.3 Status Register-1 Lock Bit (SR1-L) – OTP lockable

The SR1-L lock bit is used to OTP lock the values in the Protection Register (SR-1). Depending on the settings in the SR-1, the device can be configured to have a portion of or up to the entire array to be write-protected, and the setting can be OTP locked by setting SR1-L bit to 1. SR1-L bit can only be set to 1 permanently when SRP1 & SRP0 are set to (1, 1), and OTP Access Mode must be entered (OTP-E=1) to execute the programming. Please refer to 8.2.26 for detailed information.



7.2.4 ECC Enable Bit (ECC-E) – Volatile Writable

W25N01JW has a built-in ECC algorithm that can be used to preserve the data integrity. Internal ECC calculation is done during page programming, and the result is stored in the extra 64-Byte area for each page. During the data read operation, ECC engine will verify the data values according to the previously stored ECC information and to make necessary corrections if needed. The verification and correction status is indicated by the ECC Status Bit. ECC function is enabled by default when power on (ECC-E=1), and it will not be reset to 0 by the Device Reset command.

7.2.5 Buffer Read / Continuous Read Mode Bit (BUF) – Volatile Writable

W25N01JW provides two different modes for read operations, Buffer Read Mode (BUF=1) and Continuous Read Mode (BUF=0). Prior to any Read operation, a Page Data Read command is needed to initiate the data transfer from a specified page in the memory array to the Data Buffer. By default, after power up, the data in page 0 will be automatically loaded into the Data Buffer and the device is ready to accept any read commands.

The Buffer Read Mode (BUF=1) requires a Column Address to start outputting the existing data inside the Data Buffer, and once it reaches the end of the data buffer (Byte 2,111), DO (IO1) pin will become high-Z state.

The Continuous Read Mode (BUF=0) doesn't require the starting Column Address. The device will always start output the data from the first column (Byte 0) of the Data buffer, and once the end of the data buffer (Byte 2,048) is reached, the data output will continue through the next memory page. With Continuous Read Mode, it is possible to read out the entire memory array using a single read command. Please refer to respective command descriptions for the dummy cycle requirements for each read commands under different read modes.

For W25N01JWxxIG part number, the default value of BUF bit after power up is 1. BUF bit can be written to 0 in the Status Register-2 to perform the Continuous Read operation.

For W25N01JWxxIT part number, the default value of BUF bit after power up is 0. BUF bit can be written to 1 in the Status Register-2 to perform the Buffer Read operation.

BUF	ECC-E	Read Mode (Starting from Buffer)	ECC Status	Data Output Structure
1	0	Buffer Read	N/A	2,048 + 64
1	1	Buffer Read	Page based	2,048 + 64
0	0	Continuous Read	N/A	2,048
0	1	Continuous Read	Operation based	2,048

7.2.6 Quad Enable (QE) – Volatile Writable

The Quad Enable (QE) bit is a volatile read/write bit that enables Quad SPI operation. When QE=0, the /WP and /HOLD pins are enabled, the device operates in Standard/Dual SPI modes. When QE=1 (factory default), the Quad IO2 and IO3 pins are enabled, and /WP and /HOLD functions are disabled, the device operates in Standard/Dual/Quad SPI modes.

If the SR1-L bit in the Configuration Register (SR-2) is set to 1, the default values will be the values that are OTP locked.

WARNING: If the /WP or /HOLD pins are tied directly to the power supply or ground during standard SPI or Dual SPI operation, the QE bit should never be set to a 1.



7.3 Status Register-3 (Status only)

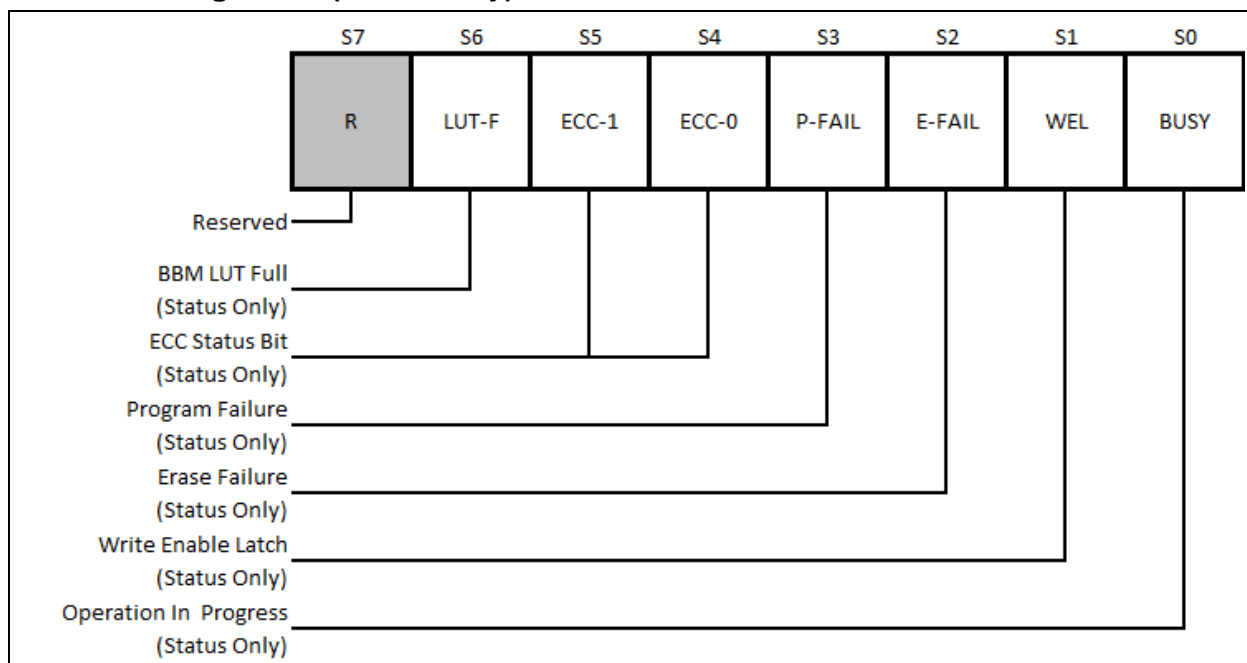


Figure 7-3 Status Register-3 (Address Cxh)

7.3.1 Look-Up Table Full (LUT-F) – Status Only

To facilitate the NAND flash memory bad block management, the W25N01JW is equipped with an internal Bad Block Management Look-Up-Table (BBM LUT). Up to 20 bad memory blocks may be replaced by a good memory block respectively. The addresses of the blocks are stored in the internal Look-Up Table as Logical Block Address (LBA, the bad block) & Physical Block Address (PBA, the good block). The LUT-F bit indicates whether the 20 memory block links have been fully utilized or not. The default value of LUT-F is 0, once all 20 links are used, LUT-F will become 1, and no more memory block links may be established.

7.3.2 Cumulative ECC Status (ECC-1, ECC-0) – Status Only

ECC function is used in NAND flash memory to correct limited memory errors during read operations. The ECC Status Bits (ECC-1, ECC-0) should be checked after the completion of a Read operation to verify the data integrity. The ECC Status bits values are don't care if ECC-E=0. These bits will be cleared to 0 after a power cycle or a RESET command.



ECC Status		Descriptions
ECC-1	ECC-0	
0	0	The entire data output is provided without requiring any ECC correction.
0	1	The entire data output experienced a 1 bit correction event after reading either single or multiple pages.
1	0	The entire data output experienced a 2 bit error event in a single page that cannot be corrected ² in the Continuous Read Mode, an additional command can be used to read out the Page Address (PA) that contains the error.
1	1	The entire data output experienced a 2 bit error event in multiple pages. In the Continuous Read Mode, the additional command can only provide the last Page Address (PA) that contain the 2 bit error. PAs for other pages with the 2 bit error is not available. The data read is not suitable for use ^{2,3} .

Notes:

1. As the ECC engine is based on Hamming code, the ECC status bits are applicable for 1 bit ECC correction and 2 bit ECC detection. This Serial NAND is not expected to experience 3 or more bits of error when used within the datasheet specifications. When there is a 1 bit error correction event, the associated block should either be erased and re-programmed, or marked as a bad block with the content moved to another block, making the occurrence of 3 or more error bits extremely unlikely.
2. If the read operation contains both 1 or 2 bit error event, the 2 bit error condition will be used.
3. ECC-1, ECC-0 = (1, 1) is only applicable during Continuous Read operation (BUF=0).

7.3.3 Program Failure (P-FAIL) – Status Only

The Program Failure Bit is used to indicate whether the internally-controlled Program operation was executed successfully (P-FAIL=0) or timed out (P-FAIL=1). The P-FAIL bit is also set when the Program command is issued to a locked or protected memory array or OTP area. This bit is cleared at the beginning of the Program Execute instruction on an unprotected memory array or OTP area. Device Reset instruction can also clear the P-FAIL bit.

7.3.4 Erase Failure (E-FAIL) – Status Only

The Erase Failure Bit is used to indicate whether the internally-controlled Erase operation was executed successfully (E-FAIL=0) or timed out (E-FAIL=1). The E-FAIL bit is also set when the Erase command is issued to a locked or protected memory array. This bit is cleared at the beginning of the Block/Chip Erase instruction on an unprotected memory array. Device Reset instruction can also clear the E-FAIL bit.

7.3.5 Write Enable Latch (WEL) – Status Only

Write Enable Latch (WEL) is a read only bit in the status register (S1) that is set to 1 after executing a Write Enable Instruction. The WEL status bit is cleared to 0 when the device is write disabled. A write disable state occurs upon power-up or after any of the following instructions: Write Disable, Program Execute, Block Erase, Page Data Read and Program Execute and Bad Block Management for OTP pages.

7.3.6 Read/Erase/Program in Progress (BUSY) – Status Only

BUSY is a read only bit in the status register (S0) that is set to a 1 state when the device is powering up or executing a Page Data Read, BBM Management, Program Execute, Block Erase and Program Execute for OTP area, OTP Locking or after a Continuous Read instruction. During this time the device will ignore further instructions except for the Read Status Register, Reset and Read JEDEC ID instructions. When the program, erase or write status register instruction has completed, the BUSY bit will be cleared to a 0 state indicating the device is ready for further instructions.



7.4 Status Register-4 (Writable and Status)

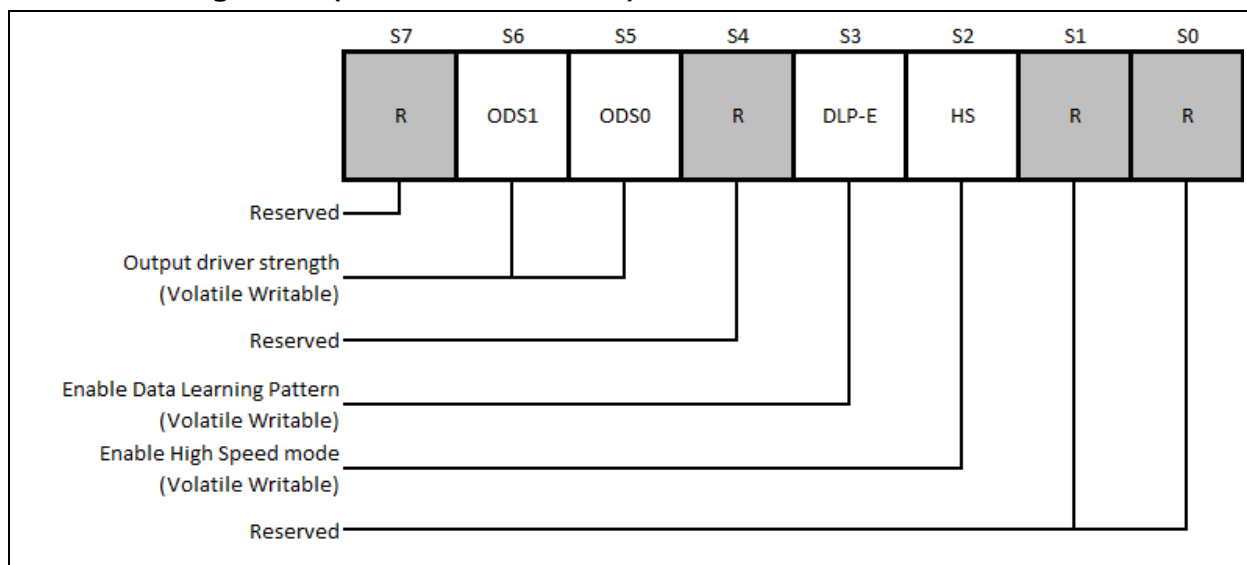


Figure 7-4 Status Register-4 (Address Dxh)

7.4.1 Output Driver Strength (ODS1, ODS0) – Volatile Writable

The ODS1 & ODS0 bits are used to determine the output driver strength for the Read operations.

ODS1, ODS0	Output Driver Strength
0, 0	100% (Default setting)
0, 1	75%
1, 0	50%
1, 1	25%

7.4.2 Data Learning Pattern Enable (DLP-E) – Volatile Writable

For Quad DTR Read commands, a pre-defined “Data Learning Pattern” can be used by the flash memory controller to determine the flash data output timing on I/O pins. When DLP-E=1, during the last 4 dummy cycles just prior to the data output, W25N01JW will output “00110100” Data Learning Pattern sequence on each of the 4 I/O pins. During the period, controller can fine tune the data latching timing for each I/O pins to achieve optimum system performance. DLP-E=0 will disable the Data Learning Pattern output. The Data Learning Pattern can also be defined by a “Write Data Learning Pattern (4Ah)” command followed by 8-bits user-defined pattern. The user defined pattern is volatile. After device power cycle, the Data Learning Pattern will return to its “00110100” default value.

7.4.3 High Speed Enable (HS) – Volatile Writable

The HS bit enables the following commands to operate at 166 MHz.

- Fast Read Dual I/O (BBh)
- Fast Read Dual I/O with 4-Byte Address (BCh)
- Fast Read Quad I/O (EBh)
- Fast Read Quad I/O with 4-Byte Address (ECh)

When HS = 1, the dummy cycles of these commands are set from 4 to 8, allowing operation at 166 MHz. When HS = 0, the dummy cycle of these commands is 4, and operation up to 104 MHz is possible.



7.5 Extended Register

The Data Learning Pattern can be defined by a "Write Data Learning Pattern (4Ah)" command followed by 8-bits user-defined pattern. The user defined pattern is volatile. After device power cycle, the Data Learning Pattern will return to its "00110100" default value.

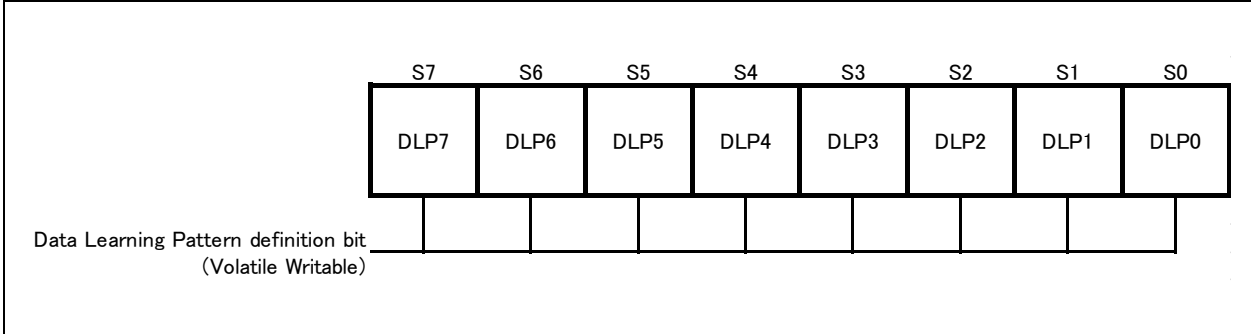


Figure 7-5 Extended Register



7.6 W25N01JW Status Register Memory Protection

STATUS REGISTER ⁽¹⁾					W25N01JW (1G-BIT / 128M-BYTE) MEMORY PROTECTION ⁽²⁾			
TB	BP3	BP2	BP1	BP0	PROTECTED BLOCK(S)	PROTECTED PAGE ADDRESS PA[15:0]	PROTECTED DENSITY	PROTECTED PORTION
X	0	0	0	0	NONE	NONE	NONE	NONE
0	0	0	0	1	1022 & 1023	FF80h - FFFFh	256KB	Upper 1/512
0	0	0	1	0	1020 thru 1023	FF00h - FFFFh	512KB	Upper 1/256
0	0	0	1	1	1016 thru 1023	FE00h - FFFFh	1MB	Upper 1/128
0	0	1	0	0	1008 thru 1023	FC00h - FFFFh	2MB	Upper 1/64
0	0	1	0	1	992 thru 1023	F800h - FFFFh	4MB	Upper 1/32
0	0	1	1	0	960 thru 1023	F000h - FFFFh	8MB	Upper 1/16
0	0	1	1	1	896 thru 1023	E000h - FFFFh	16MB	Upper 1/8
0	1	0	0	0	768 thru 1023	C000h - FFFFh	32MB	Upper 1/4
0	1	0	0	1	512 thru 1023	8000h - FFFFh	64MB	Upper 1/2
1	0	0	0	1	0 & 1	0000h - 007Fh	256KB	Lower 1/512
1	0	0	1	0	0 thru 3	0000h - 00FFh	512KB	Lower 1/256
1	0	0	1	1	0 thru 7	0000h - 01FFh	1MB	Lower 1/128
1	0	1	0	0	0 thru 15	0000h - 03FFh	2MB	Lower 1/64
1	0	1	0	1	0 thru 31	0000h - 07FFh	4MB	Lower 1/32
1	0	1	1	0	0 thru 63	0000h - 0FFFh	8MB	Lower 1/16
1	0	1	1	1	0 thru 127	0000h - 1FFFh	16MB	Lower 1/8
1	1	0	0	0	0 thru 255	0000h - 3FFFh	32MB	Lower 1/4
1	1	0	0	1	0 thru 511	0000h - 7FFFh	64MB	Lower 1/2
X	1	0	1	X	0 thru 1023	0000h - FFFFh	128MB	ALL
X	1	1	X	X	0 thru 1023	0000h - FFFFh	128MB	ALL

Notes:

1. X = don't care
2. If any Erase or Program command specifies a memory region that contains protected data portion, this command will be ignored.



8. INSTRUCTIONS

The Standard/Dual/Quad SPI instruction set of the W25N01JW are fully controlled through the SPI bus (see Instruction Set Table). Instructions are initiated with the falling edge of Chip Select (/CS). The first byte of data clocked into the DI input provides the instruction code. Data on the DI input is sampled on the rising edge of clock with most significant bit (MSB) first.

Instructions vary in length from a single byte to several bytes and may be followed by address bytes, data bytes, dummy bytes (don't care), and in some cases, a combination. Instructions are completed with the rising edge of edge /CS. Clock relative timing diagrams for each instruction are included in Figures of each commands description. All read instructions can be completed after any clocked bit. However, all instructions that Write, Program or Erase must complete on a byte boundary (/CS driven high after a full 8-bits have been clocked) otherwise the instruction will be ignored. This feature further protects the device from inadvertent writes. Additionally, while the device is performing Program or Erase operation, BBM management, Page Data Read or OTP locking operations, BUSY bit will be high, and all instructions except for Read Status Register or Read JEDEC ID will be ignored until the current operation cycle has completed.

8.1 Device ID and Instruction Set Tables

8.1.1 Manufacturer and Device Identification

MANUFACTURER ID	(MF7 - MF0)
Winbond Serial Flash	EFh
Device ID	(ID15 - ID0)
W25N01JW	BC21h



8.1.2 Instruction Set Table 1 (Continuous Read, BUF = 0, xxIT Default Power Up Mode)⁽¹¹⁾

Command	Op Code	Default Dummy	HS=1 Dummy	Address Dummy	Byte2	Byte3	Byte4	Byte5	Byte6	Byte7
RESET Enable + RESET Memory (NOR compatible)	66h+99h	0	-	-						
Device RESET	FFh	0	-	-						
JEDEC ID	9Fh	8	-	-	Dummy	EFh	ID15-8	ID7-0		
Read Status Register-1	0Fh/05h	0	-	-	Axh	S7-0	S7-0	S7-0	S7-0	S7-0
Read Status Register-2	0Fh/05h	0	-	-	Bxh	S7-0	S7-0	S7-0	S7-0	S7-0
Read Status Register-3	0Fh/05h	0	-	-	Cxh	S7-0	S7-0	S7-0	S7-0	S7-0
Read Status Register-4	0Fh/05h	0	-	-	Dxh	S7-0	S7-0	S7-0	S7-0	S7-0
Write Status Register-1	1Fh/01h	0	-	-	Axh	S7-0				
Write Status Register-2	1Fh/01h	0	-	-	Bxh	S7-0				
Write Status Register-4	1Fh/01h	0	-	-	Dxh	S7-0				
Write Data Learning Pattern	4Ah	0	-	-	P7-0					
Write Enable	06h	-	-	-						
Write Disable	04h	-	-	-						
Deep Power-down	B9h	-	-	-						
Release Deep Power-down	ABh	-	-	-						
Bad Block Management (Swap Blocks)	A1h	0	-	-	LBA0	LBA0	PBA0	PBA0	LBA1	LBA1
Read BBM LUT	A5h	8	-	-	Dummy	LBA0	LBA0	PBA0	PBA0	LBA1
Last ECC failure Page Address	A9h	8	-	-	Dummy	PA15-8	PA7-0			
Block Erase	D8h	8	-	-	Dummy	PA15-8	PA7-0			
Program Data Load	02h	0	-	-	CA15-8	CA7-0	D0	D1	D2	D3
Random Program Data Load	84h	0	-	-	CA15-8	CA7-0	D0	D1	D2	D3
Quad Program Data Load	32h	0	-	-	CA15-8	CA7-0	D0	D1	D2	D3
Random Quad Program Data Load	34h	0	-	-	CA15-8	CA7-0	D0	D1	D2	D3
Program Execute	10h	8	-	-	Dummy	PA15-8	PA7-0			



(Continue instruction set table of BUF=0)

Command	Op Code	Default Dummy	HS=1 Dummy	Address Dummy	Byte2	Byte3	Byte4	Byte5	Byte6	Byte7																																
Page Data Read	13h	8	-	-	Dummy	PA15-8	PA7-0																																			
Read	03h	8	-	16	Address Dummy		Dummy	D0	D1	D2																																
Fast Read	0Bh	8	-	24	Address Dummy			Dummy	D0	D1																																
Fast Read with 4-Byte Address	0Ch	8	-	32	Address Dummy				Dummy	D0																																
Fast Read Dual Output	3Bh	8	-	24	Address Dummy			Dummy	D0	D1	D2	D3																														
Fast Read Dual Output with 4-Byte Address	3Ch	8	-	32	Address Dummy				Dummy	D0	D1																															
Fast Read Quad Output	6Bh	8	-	32	Address Dummy			Dummy	D0	D1	D2	D3	D4	D5	D6	D7																										
Fast Read Quad Output with 4-Byte Address	6Ch	8	-	32	Address Dummy				Dummy	D0	D1	D2	D3																													
Fast Read Dual I/O	BBh	4	8	12	Address Dummy		Dummy	D0	D1	D2	D3	D4	D5	D6	D7																											
Fast Read Dual I/O with 4-Byte Address	BCh	4	8	16	Address Dummy			Dummy	D0	D1	D2	D3	D4	D5	D6																											
Fast Read Quad I/O	EBh	6	8	6	Address Dummy	Dummy	D0	D1	D2	D3	D4	D5	D6	D7	D8	D9	D10	D11	D12	D13	D14	D15	D16	D17																		
Fast Read Quad I/O with 4-Byte Address	ECh	6	8	8	Address Dummy		Dummy	D0	D1	D2	D3	D4	D5	D6	D7	D8	D9	D10	D11	D12	D13	D14	D15	D16																		
DTR Fast Read	0Dh	6	-	12	Address Dummy		Dummy	D0	D1	D2	D3	D4	D5	D6	...																											
DTR Fast Read with 4-Byte Address	0Eh	6	-	16	Address Dummy			Dummy	D0	D1	D2	D3	D4	D5	...																											
DTR Fast Read Dual Output	3Dh	6	-	12	Address Dummy		Dummy	D0	D1	D2	D3	D4	D5	D6	D7	D8	D9	D10	D11	D12	D13	D14																				
DTR Fast Read Quad Output	6Dh	8	-	12	Address Dummy			Dummy	D0	D1	D2	D3	D4	D5	D6	D7	D8	D9	D10	D11	D12	D13	D14	D15	D16	D17																
DTR Fast Read Dual I/O	BDh	6	-	6	Address Dummy	Dummy	D0	D1	D2	D3	D4	D5	D6	D7	D8	D9	D10	D11	D12	D13	D14	D15	D16	D17																		
DTR Fast Read Dual I/O with 4-Byte Address	BEh	6	-	8	Address Dummy		Dummy	D0	D1	D2	D3	D4	D5	D6	D7	D8	D9	D10	D11	D12	D13	D14	D15	D16																		
DTR Fast Read Quad I/O	EDh	8	-	3	Add Dum	Dummy	D0	D1	D2	D3	D4	D5	D6	D7	D8	D9	D10	D11	D12	D13	D14	D15	D16	D17	D18	D19	D20	D21	D22	D23	D24	D25	D26	D27	D28	D29	D30	D31	D32	D33	D34	D35
DTR Fast Read Quad I/O with 4-Byte Address	EEh	8	-	4	Address Dummy	Dummy	D0	D1	D2	D3	D4	D5	D6	D7	D8	D9	D10	D11	D12	D13	D14	D15	D16	D17	D18	D19	D20	D21	D22	D23	D24	D25	D26	D27	D28	D29	D30	D31	D32	D33	D34	D35



8.1.3 Instruction Set Table 2 (Buffer Read, BUF = 1, xxIG Default Power Up Mode)⁽¹²⁾

Command	Op Code	Default Dummy	HS=1 Dummy	Address Dummy	Byte2	Byte3	Byte4	Byte5	Byte6	Byte7
RESET Enable + RESET Memory (NOR compatible)	66h+99h	0	-	-						
Device RESET	FFh	0	-	-						
JEDEC ID	9Fh	8	-	-	Dummy	EFh	ID15-8	ID7-0		
Read Status Register-1	0Fh/05h	0	-	-	Axh	S7-0	S7-0	S7-0	S7-0	S7-0
Read Status Register-2	0Fh/05h	0	-	-	Bxh	S7-0	S7-0	S7-0	S7-0	S7-0
Read Status Register-3	0Fh/05h	0	-	-	Cxh	S7-0	S7-0	S7-0	S7-0	S7-0
Read Status Register-4	0Fh/05h	0	-	-	Dxh	S7-0	S7-0	S7-0	S7-0	S7-0
Write Status Register-1	1Fh/01h	0	-	-	Axh	S7-0				
Write Status Register-2	1Fh/01h	0	-	-	Bxh	S7-0				
Write Status Register-4	1Fh/01h	0	-	-	Dxh	S7-0				
Write Data Learning Pattern	4Ah	0	-	-	P7-0					
Write Enable	06h	-	-	-						
Write Disable	04h	-	-	-						
Deep Power-down	B9h	-	-	-						
Release Deep Power-down	ABh	-	-	-						
Bad Block Management (Swap Blocks)	A1h	0	-	-	LBA0	LBA0	PBA0	PBA0	LBA1	LBA1
Read BBM LUT	A5h	8	-	-	Dummy	LBA0	LBA0	PBA0	PBA0	LBA1
Last ECC failure Page Address	A9h	8	-	-	Dummy	PA15-8	PA7-0			
Block Erase	D8h	8	-	-	Dummy	PA15-8	PA7-0			
Program Data Load	02h	0	-	-	CA15-8	CA7-0	D0	D1	D2	D3
Random Program Data Load	84h	0	-	-	CA15-8	CA7-0	D0	D1	D2	D3
Quad Program Data Load	32h	0	-	-	CA15-8	CA7-0	D0	D1	D2	D3
Random Quad Program Data Load	34h	0	-	-	CA15-8	CA7-0	D0	D1	D2	D3
Program Execute	10h	8	-	-	Dummy	PA15-8	PA7-0			

W25N01JWxxIG/IT



(Continue instruction set table of BUF=1)

Command	Op Code	Default Dummy	HS=1 Dummy	Address Dummy	Byte2	Byte3	Byte4	Byte5	Byte6	Byte7																														
Page Data Read	13h	8	-	-	Dummy	PA15-8	PA7-0																																	
Read	03h	8	-	0	CA15-8	CA7-0	Dummy	D0	D1	D2																														
Fast Read	0Bh	8	-	0	CA15-8	CA7-0	Dummy	D0	D1	D2																														
Fast Read with 4-Byte Address	0Ch	8	-	16	CA15-8	CA7-0	Address Dummy			Dummy	D0																													
Fast Read Dual Output	3Bh	8	-	0	CA15-8	CA7-0	Dummy	D0	D1	D2	D3	D4	D5																											
Fast Read Dual Output with 4-Byte Address	3Ch	8	-	16	CA15-8	CA7-0	Address Dummy			Dummy	D0	D1																												
Fast Read Quad Output	6Bh	8	-	0	CA15-8	CA7-0	Dummy	D0	D1	D2	D3	D4	D5	D6	D7	D8	D9	D10	D11																					
Fast Read Quad Output with 4-Byte Address	6Ch	8	-	16	CA15-8	CA7-0	Address Dummy			Dummy	D0	D1	D2	D3																										
Fast Read Dual I/O	BBh	4	8	0	CA15-0	Dummy	D0	D1	D2	D3	D4	D5	D6	D7	D8																									
Fast Read Dual I/O with 4-Byte Address	BCh	4	8	8	CA15-0	Address Dummy		Dummy	D0	D1	D2	D3	D4	D5	D6																									
Fast Read Quad I/O	EBh	4	8	0	CA15-0	Dummy	D0	D1	D2	D3	D4	D5	D6	D7	D8	D9	D10	D11	D12	D13	D14	D15	D16	D17	D18	D19														
Fast Read Quad I/O with 4-Byte Address	ECh	6	8	4	CA15-0	Add Dum	Dummy	D0	D1	D2	D3	D4	D5	D6	D7	D8	D9	D10	D11	D12	D13	D14	D15	D16																
DTR Fast Read	0Dh	4	-	4	CA15-0	Address Dummy		Dummy	D0	D1	D2	D3	D4	D5	D6	D7																								
DTR Fast Read with 4-Byte Address	0Eh	8	-	6	CA15-0	Address Dummy		Dummy	D0	D1	D2	D3	D4	D5	...																									
DTR Fast Read Dual Output	3Dh	4	-	4	CA15-0	Address Dummy		Dummy	D0	D1	D2	D3	D4	D5	D6	D7	D8	D9	D10	D11	D12	D13	D14	D15																
DTR Fast Read Quad Output	6Dh	4	-	4	CA15-0	Address Dummy		Dummy	D0	D1	D2	D3	D4	D5	D6	D7	D8	D9	D10	D11	D12	D13	D14	D15	D16	D17	D18	D19	D20	D21	D22	D23	D24	D25	D26	D27	D28	D29	D30	D31
DTR Fast Read Dual I/O	BDh	6	-	2	CA15-0	Add Dum	Dummy	D0	D1	D2	D3	D4	D5	D6	D7	D8	D9	D10	D11	D12	D13	D14	D15	D16	D17															
DTR Fast Read Dual I/O with 4-Byte Address	BEh	6	-	4	CA15-0	Address Dummy		Dummy	D0	D1	D2	D3	D4	D5	D6	D7	D8	D9	D10	D11	D12	D13	D14	D15	D16															
DTR Fast Read Quad I/O	EDh	7	-	1	CA15-0	Add Dum	Dummy	D0	D1	D2	D3	D4	D5	D6	D7	D8	D9	D10	D11	D12	D13	D14	D15	D16	D17	D18	D19	D20	D21	D22	D23	D24	D25	D26	D27	D28	D29	D30	D31	
DTR Fast Read Quad I/O with 4-Byte Address	EEh	8	-	2	CA15-0	Add Dum	Dummy	D0	D1	D2	D3	D4	D5	D6	D7	D8	D9	D10	D11	D12	D13	D14	D15	D16	D17	D18	D19	D20	D21	D22	D23	D24	D25	D26	D27	D28	D29	D30	D31	

**Notes:**

1. **Output** designates data output from the device.
2. Column Address (CA) only requires CA[11:0], CA[15:12] are considered as dummy bits.
3. Page Address (PA) requires 16 bits. PA[15:6] is the address for 128KB blocks (total 1,024 blocks), PA[5:0] is the address for 2KB pages (total 64 pages for each block).
4. Logical and Physical Block Address (LBA & PBA) each consists of 16 bits. LBA[9:0] & PBA[9:0] are effective Block Addresses. LBA[15:14] is used for additional information.
5. Status Register Addresses:

Status Register 1 / Protection Register:	Addr = Axh
Status Register 2 / Configuration Register:	Addr = Bxh
Status Register 3 / Status Register:	Addr = Cxh
6. Dual SPI Address Input (**CA15-8** and **CA7-0**) format:

IO0 =	x,	x,	CA10,	CA8,	CA6,	CA4,	CA2,	CA0
IO1 =	x,	x,	CA11,	CA9,	CA7,	CA5,	CA3,	CA1
7. Dual SPI Data Output (**D7-0**) format:

IO0 =	D6,	D4,	D2,	D0,
IO1 =	D7,	D5,	D3,	D1,
8. Quad SPI Address Input (**CA15-8** and **CA7-0**) format:

IO0 =	x,	CA8,	CA4,	CA0
IO1 =	x,	CA9,	CA5,	CA1
IO2 =	x,	CA10,	CA6,	CA2
IO3 =	x,	CA11,	CA7,	CA3
9. Quad SPI Data Input/Output (**D7-0**) format:

IO0 =	D4,	D0,
IO1 =	D5,	D1,
IO2 =	D6,	D2,
IO3 =	D7,	D3,
10. All Quad Program/Read commands are disabled when WP-E bit is set to 1 in the Protection Register.
11. For all Read operations in the Continuous Read Mode, once the /CS signal is brought to high to terminate the read operation, the device will still remain busy for ~5us (BUSY=1), and all the data inside the Data buffer will be lost and un-reliable to use. A new Page Data Read instruction must be issued to reload the correct page data into the Data Buffer.
12. For all Read operations in the Buffer Read Mode, as soon as /CS signal is brought to high to terminate the read operation, the device will be ready to accept new instructions and all the data inside the Data Buffer will remain unchanged from the previous Page Data Read instruction.



8.2 Instruction Descriptions

8.2.1 Device Reset (FFh)

Because of the small package and the limitation on the number of pins, the W25N01JW provide a software Reset instruction instead of a dedicated RESET pin. Once the Reset instruction is accepted, any on-going internal operations will be terminated and the device will return to its default power-on state and lose all the current volatile settings, such as Volatile Status Register bits. Once the Reset command is accepted by the device, the device will take approximately tRST to reset, depending on the current operation the device is performing, tRST can be 5us~500us. During this period, no command will be accepted.

Data corruption may happen if there is an on-going internal Erase or Program operation when Reset command sequence is accepted by the device. It is recommended to check the BUSY bit in Status Register before issuing the Reset command.

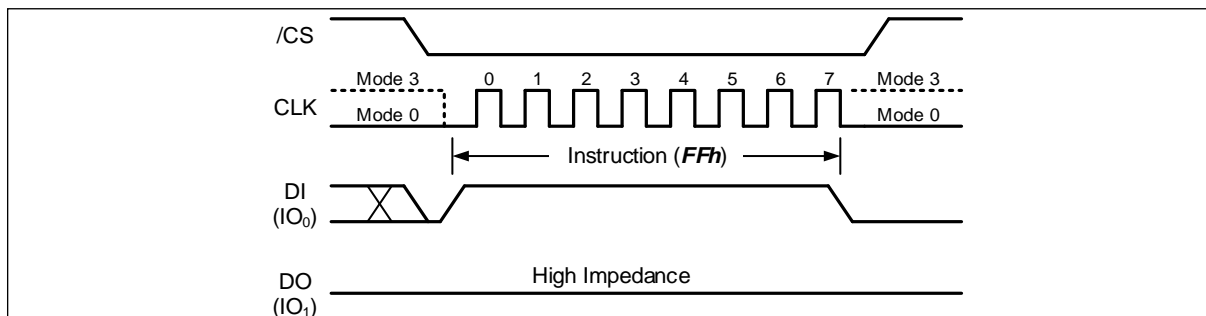


Figure 8-1 Device Reset Instruction (FFh)

Register	Address	Bits	Shipment Default	Power Up after LUT Is full	Power Up after OTP area locked	Power Up after SR-1 locked	After Reset cmd (FFh)	After Reset cmd (66h+99h) or HW RESET	
Status Register-1	Axxh	S7 SRP0	0	0	0	1 (locked)	No Change	0	
		S6 BP3	1	1	1	x (locked)	No Change	1	
		S5 BP2	1	1	1	x (locked)	No Change	1	
		S4 BP1	1	1	1	x (locked)	No Change	1	
		S3 BP0	1	1	1	x (locked)	No Change	1	
		S2 TB	1	1	1	x (locked)	No Change	1	
		S1 WP-E	0	0	0	x (locked)	No Change	0	
		S0 SRP1	0	0	0	1 (locked)	No Change	0	
		Status Register-2	Bxxh	S7 OTP-L	0	0	1	0	Clear to 0 before OTP set
S6 OTP-E	0			0	0	0	0	0	
S5 SR1-L	0			0	0	1	Clear to 0 before OTP set	Clear to 0 before OTP set	
S4 ECC-E	1			1	1	1	No Change	1	
S3 BUF(xxIG)	1			1	1	1	No Change	1	
S3 BUF(xxIT)	0			0	0	0	No Change	0	
S2 Reserved	-			-	-	-	-	-	-
S1 Reserved	-			-	-	-	-	-	-
S0 QE	1			1	1	1	1	No Change	1
Status Register-3	Cxxh	S7 Reserved	-	-	-	-	-	-	
		S6 LUT-F	0	1	0	0	No Change	0*1	
		S5 ECC-1	0	0	0	0	0	0	
		S4 ECC-0	0	0	0	0	0	0	
		S3 P-FAIL	0	0	0	0	0	0	
		S2 E-FAIL	0	0	0	0	0	0	
		S1 WEL	0	0	0	0	0	0	
		S0 BUSY	1 during tRST=>0	1 during tRST=>0	1 during tRST=>0	1 during tRST=>0	1 during tRST=>0	1 during tRST=>0	1 during tRST=>0
Status Register-4	Dxxh	S7 Reserved	-	-	-	-	-	-	
		S6 OSD1	0	0	0	0	No Change	0	
		S5 OSD0	0	0	0	0	No Change	0	
		S4 Reserved	-	-	-	-	-	-	
		S3 DLP-E	0	0	0	0	No Change	0	
		S2 HS	0	0	0	0	No Change	0	
		S1 Reserved	-	-	-	-	-	-	
		S0 Reserved	-	-	-	-	-	-	
Extended Register	-	DLP[7:0]	00110100	00110100	00110100	00110100	No Change	00110100	

Default values of the Status Registers after power up and Device Reset

Notes:

1. If LUT is full, the bit indicates to "1" after Reset command (66h+99h) and HW RESET



	During Power Up sequence	After Reset cmd (FFh)	After Reset cmd (66h+99h) or HW RESET
Auto Page Data Read (13h) ⁽¹⁾	Execute	Execute	Execute

Auto Page Data Read (13h) execution during power up and after Device Reset

Notes:

1. Automatically execution of Page Data Read (13h) command for Block0, Page0.

8.2.2 Enable Reset (66h) and Device Reset (99h)

“Enable Reset (66h)” and “Device Reset (99h)” instructions can be issued. To avoid accidental reset, both instructions must be issued in sequence. Any other instructions other than “Device Reset (99h)” after the “Enable Reset (66h)” command will disable the “Reset Enable” state. A new sequence of “Enable Reset (66h)” and “Device Reset (99h)” is needed to reset the device. Once the Reset command is accepted by the device, the device will take approximately $t_{RST}=5\mu s-500\mu s$ to reset. During this period, no command will be accepted.

Data corruption may happen if there is an on-going internal Erase or Program operation when Reset command sequence is accepted by the device. It is recommended to check the BUSY bit in Status Register before issuing the Reset command.

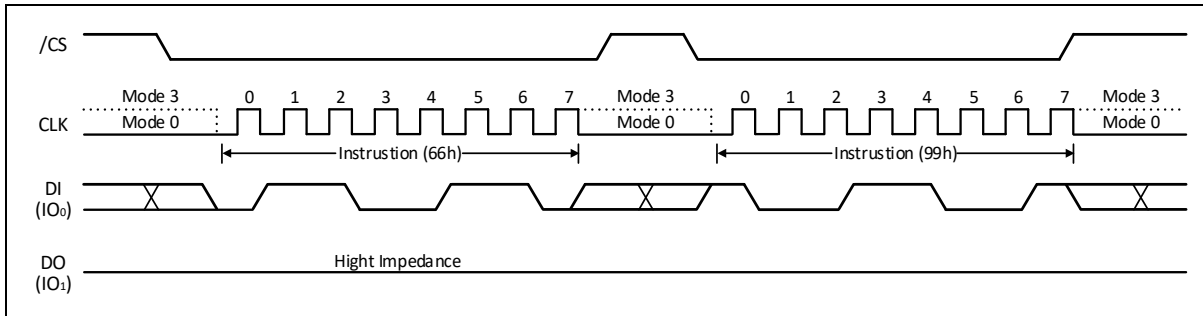


Figure 8-2 Device Reset Instruction (66h+99h)



8.2.3 Read JEDEC ID (9Fh)

The Read JEDEC ID instruction is compatible with the JEDEC standard for SPI compatible serial memories that was adopted in 2003. The instruction is initiated by driving the /CS pin low and shifting the instruction code “9Fh” followed by 8 dummy clocks.

The JEDEC assigned Manufacturer ID byte for Winbond (EFh) and two Device ID bytes are then shifted out on the falling edge of CLK with most significant bit (MSB) first. For memory type and capacity values refer to Manufacturer and Device Identification table.

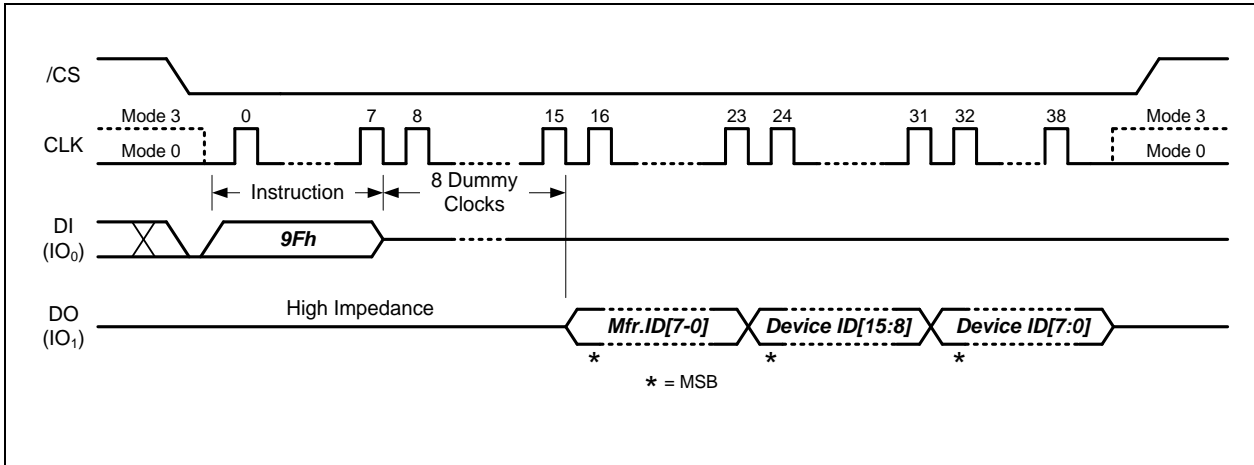


Figure 8-3 Read JEDEC ID Instruction



8.2.4 Read Status Register (0Fh / 05h)

The Read Status Register instructions allow the 8-bits Status Registers to be read. The instruction is entered by driving /CS low and shifting the instruction code “0Fh or 05h” into the DI pin on the rising edge of CLK followed by 8-bits Status Register Address. The status register bits are then shifted out on the DO pin at the falling edge of CLK with most significant bit (MSB) first. Refer to section 7 for Status Register descriptions.

The read status register instruction can be used, even while a Program or Erase cycle is in progress. This allows the BUSY status bit to be checked to determine when the cycle is complete and if the device can accept another instruction. The Status Register can be read continuously. The instruction is completed by driving /CS high.

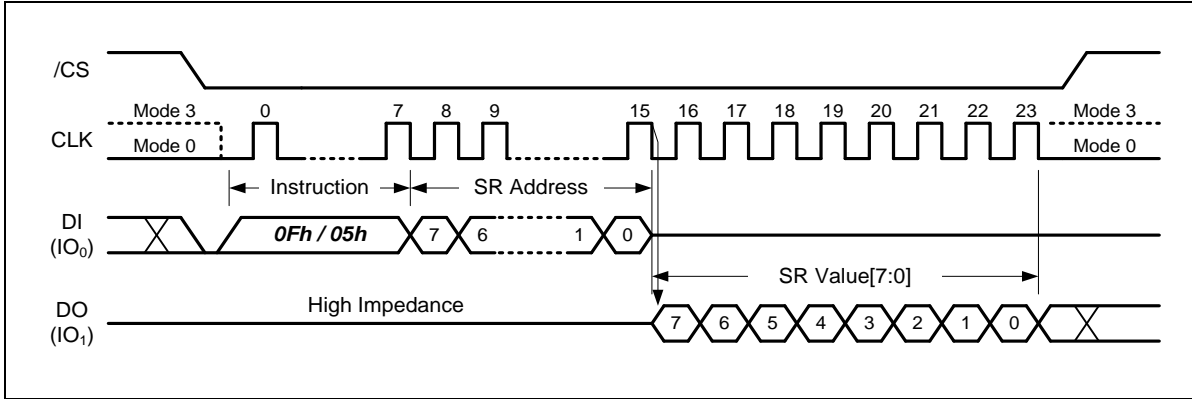


Figure 8-4 Read Status Register Instruction



8.2.5 Write Status Register (1Fh / 01h)

The Write Status Register instruction allows the Status Registers to be written. The writable Status Register bits include: SRP[1:0], TB, BP[3:0] and WP-E bit in Status Register-1; OTP-L, OTP-E, SR1-L, ECC-E and BUF bit in Status Register-2. All other Status Register bits locations are read-only and will not be affected by the Write Status Register instruction.

To write the Status Register bits, the instruction is entered by driving /CS low, sending the instruction code "1Fh or 01h", followed by 8-bits Status Register Address, and then writing the status register data byte. Refer to section 7 for Status Register descriptions. After power up, factory default for BP[3:0], TB, ECC-E bits are 1, while other bits are 0.

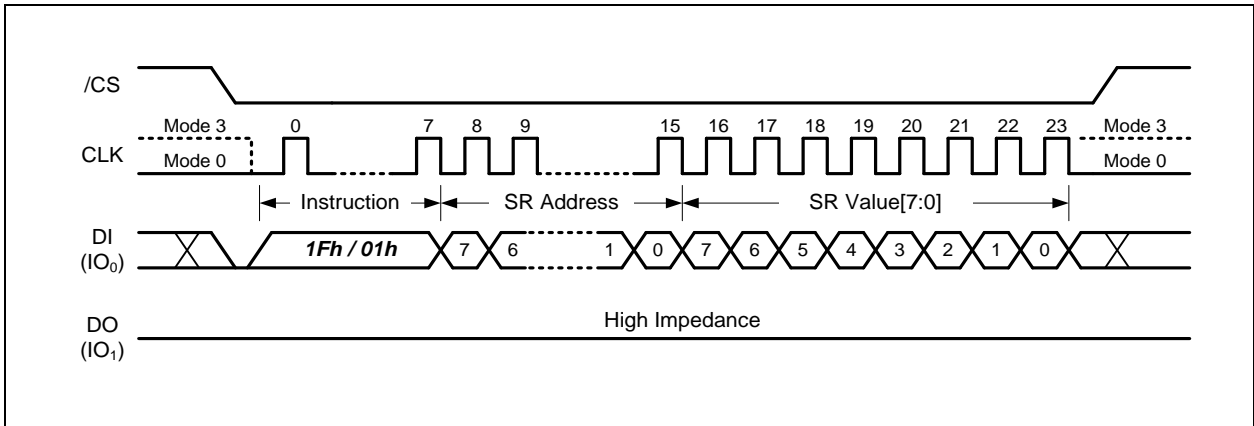


Figure 8-5 Write Status Register-1/2/3 Instruction

8.2.6 Write Data Learning Pattern (4Ah)

The Data Learning Pattern can be defined by a "Write Data Learning Pattern (4Ah)" command followed by 8-bits user-defined pattern. The user defined pattern is volatile. After device power cycle, the Data Learning Pattern will return to its "00110100" default value.

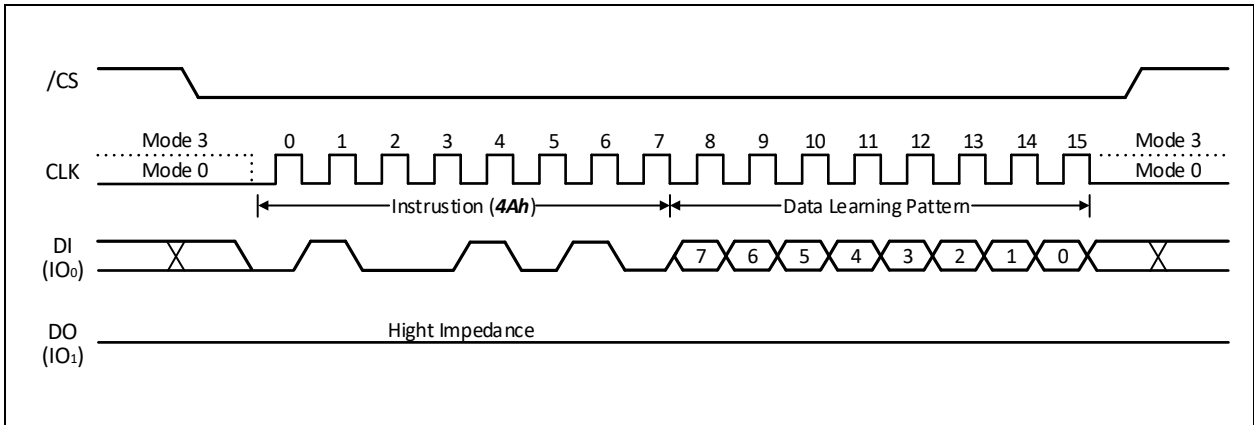


Figure 8-6 Write Data Learning Pattern



8.2.7 Write Enable (06h)

The Write Enable instruction sets the Write Enable Latch (WEL) bit in the Status Register to a 1. The WEL bit must be set prior to every Page Program, Quad Page Program and Block Erase instruction. The Write Enable instruction is entered by driving /CS low, shifting the instruction code “06h” into the Data Input (DI) pin on the rising edge of CLK, and then driving /CS high.

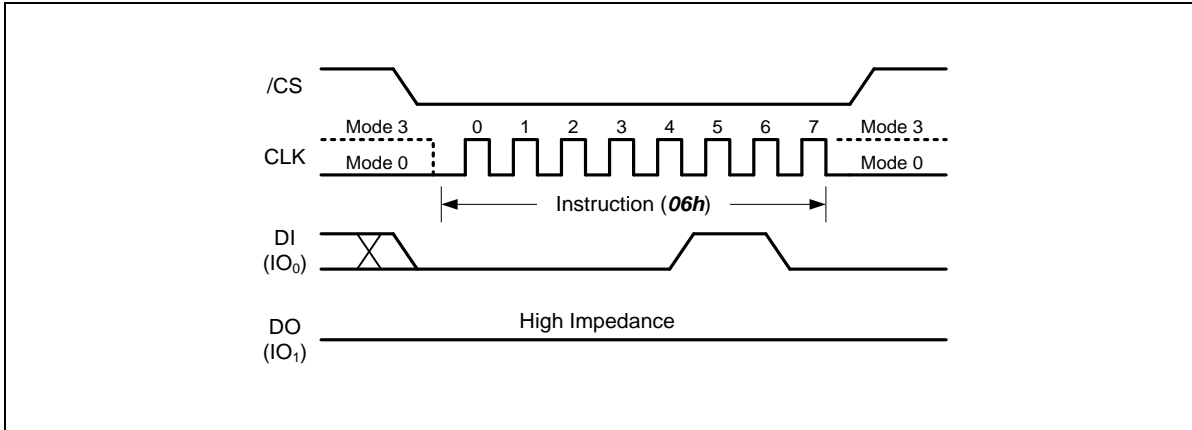


Figure 8-7 Write Enable Instruction

8.2.8 Write Disable (04h)

The Write Disable instruction resets the Write Enable Latch (WEL) bit in the Status Register to a 0. The Write Disable instruction is entered by driving /CS low, shifting the instruction code “04h” into the DI pin and then driving /CS high. Note that the WEL bit is automatically reset after Power-up and upon completion of the Page Program, Quad Page Program, Block Erase and Reset and Bad Block Management instructions.

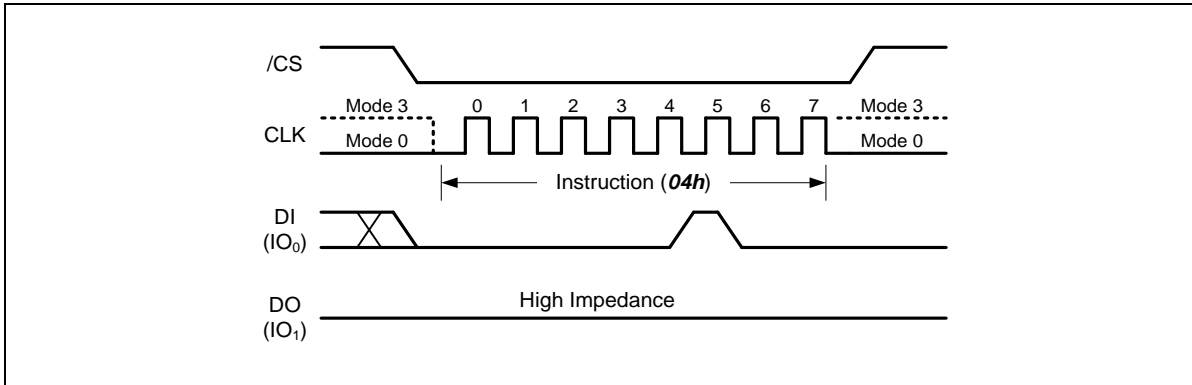


Figure 8-8 Write Disable Instruction



8.2.9 Bad Block Management (A1h)

Due to large NAND memory density size and the technology limitation, NAND memory devices are allowed to be shipped to the end customers with certain amount of “Bad Blocks” found in the factory testing. Up to 2% of the memory blocks can be marked as “Bad Blocks” upon shipment, which is a maximum of 20 blocks for W25N01JW. In order to identify these bad blocks, it is recommended to scan the entire memory array for bad block markers set in the factory. A “Bad Block Marker” is a non-FFh data byte stored at Byte 0 of Page 0 for each bad block. An additional marker is also stored in the first byte of the 64-Byte spare area.

W25N01JW offers a convenient method to manage the bad blocks typically found in NAND flash memory after extensive use. The “Bad Block Management” command is initiated by shifting the instruction code “A1h” into the DI pin and followed by the 16-bits “Logical Block Address” and 16-bits “Physical Block Address”. The logical block address is the address for the “bad” block that will be replaced by the “good” block indicated by the physical block address.

Once a Bad Block Management command is successfully executed, the specified LBA-PBA link will be added to the internal Look Up Table (LUT). Up to 20 links can be established in the non-volatile LUT. If all 20 links have been written, the LUT-F bit in the Status Register will become a 1, and no more LBA-PBA links can be established. Therefore, prior to issuing the Bad Block Management command, the LUT-F bit value can be checked or a “Read BBM Look Up Table” command can be issued to confirm if spare links are still available in the LUT.

To guarantee a continuous read operation on the first 1,000 blocks, the manufacturer may have used some of the BBM LUT entrees. It is advisable for the user to scan all blocks and keep a table of all manufacturer bad blocks prior to first erase/program operation.

Registering the same address in multiple PBAs is prohibited. It may cause unexpected behavior.

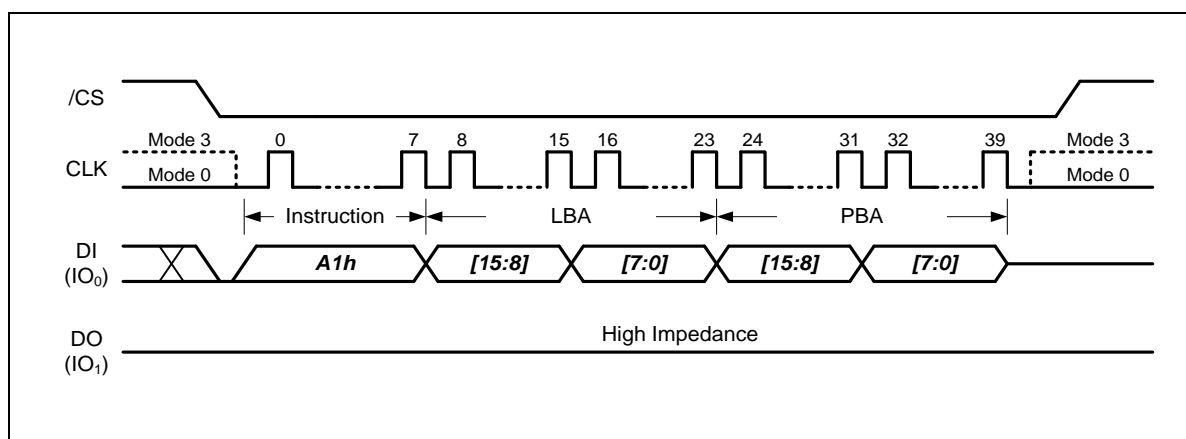


Figure 8-9 Bad Block Management Instruction



8.2.10 Read BBM Look Up Table (A5h)

The internal Look Up Table (LUT) consists of 20 Logical-Physical memory block links (from LBA0/PBA0 to LBA19/PBA19). The “Read BBM Look Up Table” command can be used to check the existing address links stored inside the LUT.

The “Read BBM Look Up Table” command is initiated by shifting the instruction code “A5h” into the DI pin and followed by 8-bits dummy clocks, at the falling edge of the 16th clocks, the device will start to output the 16-bits “Logical Block Address” and the 16-bits “Physical Block Address” as illustrated in Figure 8-10. All block address links will be output sequentially starting from the first link (LBA0 & PBA0) in the LUT. If there are available links that are unused, the output will contain all “00h” data.

The MSB bits LBA[15:14] of each link are used to indicate the status of the link.

LBA[15] (Enable)	LBA[14] (Invalid)	Descriptions
0	0	This link is available to use.
1	0	This link is enabled and it is a valid link.
1	1	This link was enabled, but it is not valid any more.
0	1	Not applicable.

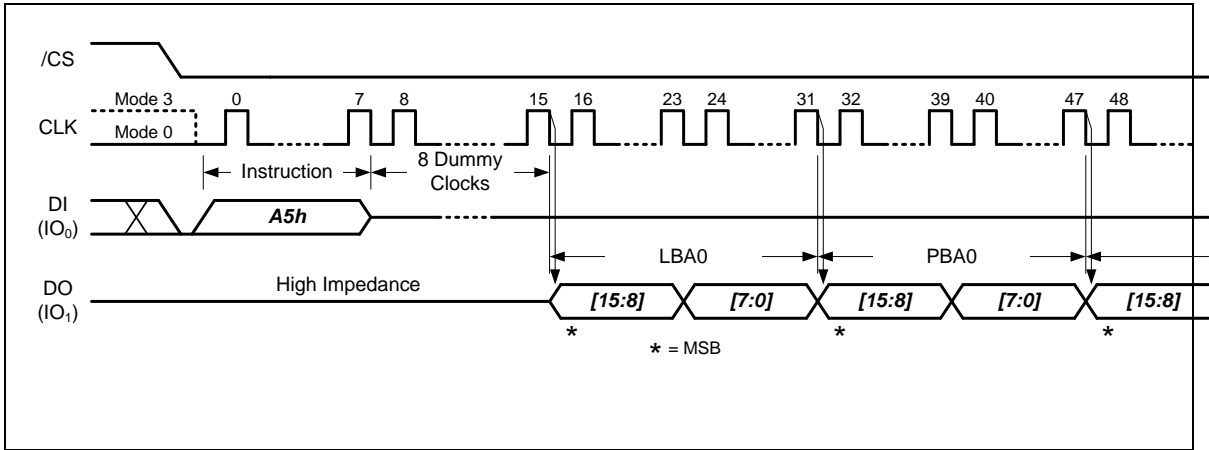


Figure 8-10 Read BBM Look Up Table Instruction



8.2.11 Last ECC Failure Page Address (A9h)

To better manage the data integrity, W25N01JW implements internal ECC correction for the entire memory array. When the ECC-E bit in the Status/Configuration Register is set to 1 (also power up default), the internal ECC algorithm is enabled for all Program and Read operations. During a "Program Execute" command for a specific page, the ECC algorithm will calculate the ECC information based on the data inside the 2K-Byte data buffer and write the ECC data into the extra 64-Byte ECC area in the same physical memory page.

During the Read operations, ECC information will be used to verify the data read out from the physical memory array and possible corrections can be made to limited amount of data bits that contain errors. The ECC Status Bits (ECC-1 & ECC-0) will also be set indicating the result of ECC calculation.

For the "Continuous Read Mode (BUF=0)" operation, multiple pages of main array data can be read out continuously by issuing a single read command. Upon finishing the read operation, the ECC status bits should be check to verify if there's any ECC correction or un-correctable errors existed in the read out data. If ECC-1 & ECC-0 equal to (1, 0) or (1, 1), the previous read out data contain one or more pages that contain ECC un-correctable errors.

The failure page address (or the last page address if it's multiple pages) can be obtained by issuing the "Last ECC failure Page Address" command. The 16-bits Page Address that contains un-correctable ECC errors will be presented on the DO pin following the instruction code "A9h" and 8-bits dummy clocks on the DI pin.

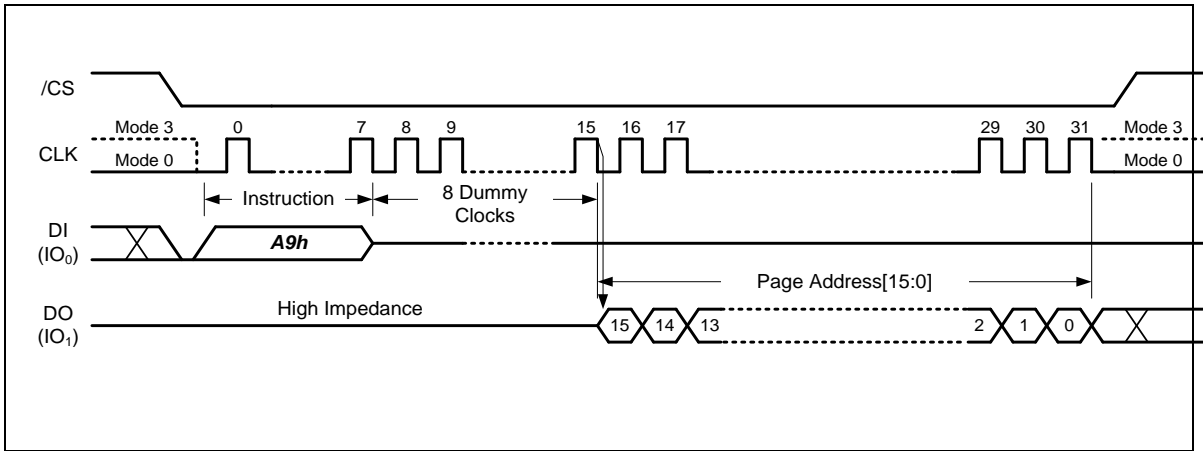


Figure 8-11 Last ECC Failure Page Address Instruction



8.2.12 Deep Power-down (B9h)

Although the standby current during normal operation is relatively low, standby current can be further reduced with the Deep Power-down instruction. The lower power consumption makes the Power-down instruction especially useful for battery powered applications (See ICC1 and ICC2 in AC Characteristics). The instruction is initiated by driving the /CS pin low and shifting the instruction code "B9h".

The /CS pin must be driven high after the eighth bit has been latched. If this is not done the Deep Power-down instruction will not be executed. After /CS is driven high, the deep power-down state will be entered within the time duration of tDP (See AC Characteristics).

While in the deep power-down state only the Release Deep Power-down (ABh) and Device Reset (FFh or 66h/99h) instructions, which restores the device to normal operation, will be recognized. All other instructions are ignored. This includes the Read Status Register instruction, which is always available during normal operation. Ignoring almost instructions makes the Deep Power-down state a useful condition for securing maximum write protection. The device always powers-up in the normal operation with the standby current of ICC1.

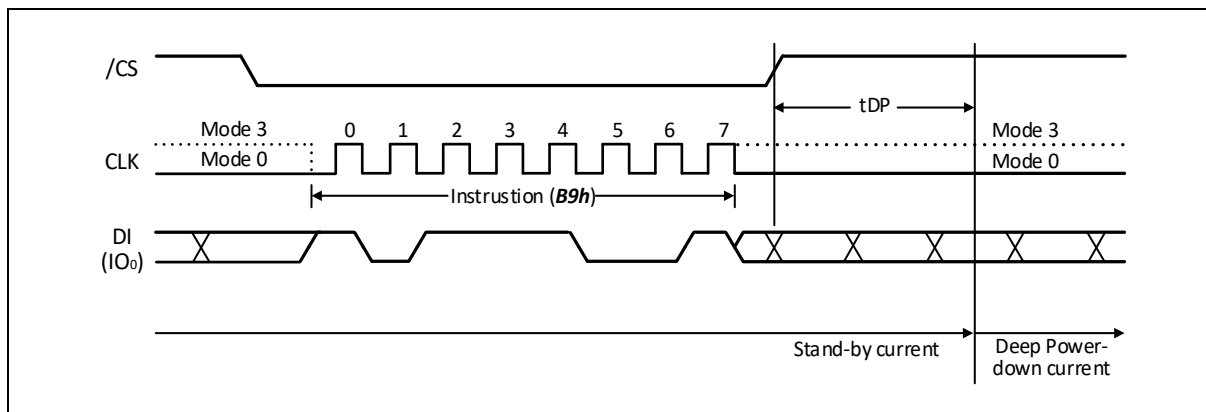


Figure 8-12 Deep Power-down Instruction



8.2.13 Release Deep Power-down (ABh)

The Release Deep Power-down instruction can be used to release the device from the power-down state. To release the device from the deep power-down state, the instruction is issued by driving the /CS pin low, shifting the instruction code "ABh" and driving /CS high. Release from deep power-down state will take the time duration of tRES1 (See AC Characteristics) before the device will resume normal operation and other instructions are accepted. The /CS pin must remain high during the tRES1 time duration.

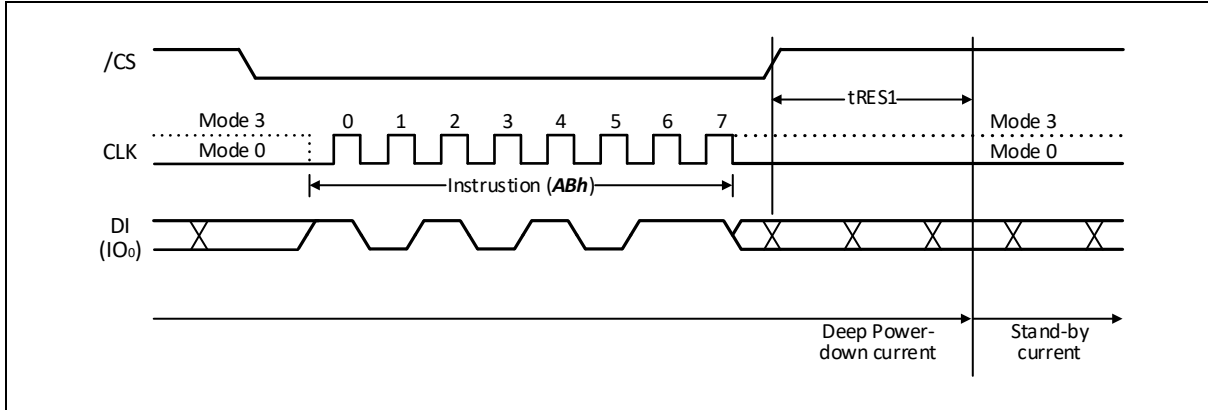


Figure 8-13 Release Deep Power-down Instruction



8.2.14 128KB Block Erase (D8h)

The 128KB Block Erase instruction sets all memory within a specified block (64-Pages, 128K-Bytes) to the erased state of all 1s (FFh). A Write Enable instruction must be executed before the device will accept the Block Erase Instruction (Status Register bit WEL must equal 1). The instruction is initiated by driving the /CS pin low and shifting the instruction code "D8h" followed by 8-bits dummy clocks and the 16-bits page address. The Block Erase instruction sequence is shown in below.

The /CS pin must be driven high after the eighth bit of the last byte has been latched. If this is not done the Block Erase instruction will not be executed. After /CS is driven high, the self-timed Block Erase instruction will commence for a time duration of tBE (See AC Characteristics). While the Block Erase cycle is in progress, the Read Status Register instruction may still be accessed for checking the status of the BUSY bit. The BUSY bit is a 1 during the Block Erase cycle and becomes a 0 when the cycle is finished and the device is ready to accept other instructions again.

After the Block Erase cycle has finished the Write Enable Latch (WEL) bit in the Status Register is cleared to 0. The Block Erase instruction will not be executed if the addressed block is protected by the Block Protect (TB, BP3, BP2, BP1, and BP0) bits.

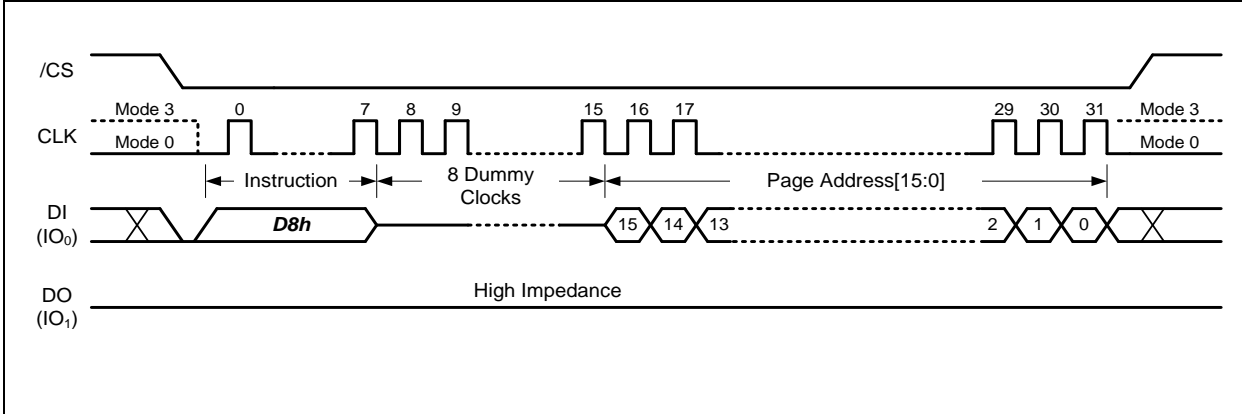


Figure 8-14 128KB Block Erase Instruction



8.2.15 Load Program Data (02h) / Random Load Program Data (84h)

The Program operation allows from one byte to 2,112 bytes (a page) of data to be programmed at previously erased (FFh) memory locations.

A Program operation involves two steps:

1. Load the program data into the Data Buffer.
2. Issue "Program Execute" command to transfer the data from Data Buffer to the specified memory page.

A Write Enable instruction must be executed before the device will accept the Load Program Data Instructions (Status Register bit WEL=1). The "Load Program Data" or "Random Load Program Data" instruction is initiated by driving the /CS pin low then shifting the instruction code "02h" or "84h" followed by a 16-bits column address (only CA[11:0] is effective). The /CS pin must be held low for the entire length of the instruction while data is being sent to the device. If the number of data bytes sent to the device exceeds the number of data bytes in the Data Buffer, the extra data will be ignored by the device. The Load Program Data instruction sequence is shown in below.

Both "Load Program Data" and "Random Load Program Data" instructions share the same command sequence. The difference is that "Load Program Data" instruction will reset the unused the data bytes in the Data Buffer to FFh value, while "Random Load Program Data" instruction will only update the data bytes that are specified by the command input sequence, the rest of the Data Buffer will remain unchanged.

If internal ECC algorithm is enabled, all 2,112 bytes of data will be accepted, but the bytes designated for ECC parity bits in the extra 64 bytes section will be overwritten by the ECC calculation. If the ECC-E bit is set to a 0 to disable the internal ECC, the extra 64 bytes section can be used for external ECC purpose or other usage.

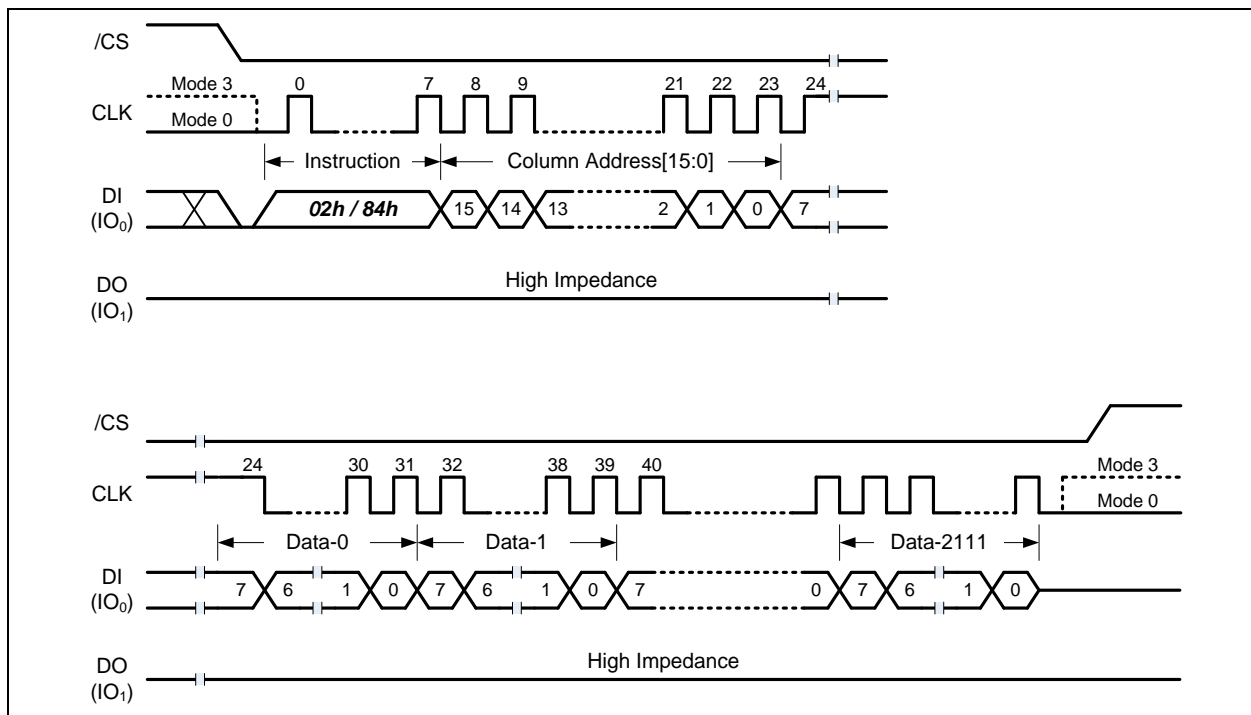


Figure 8-15 Load / Random Load Program Data Instruction



8.2.16 Quad Load Program Data (32h) / Quad Random Load Program Data (34h)

The "Quad Load Program Data" and "Quad Random Load Program Data" instructions are identical to the "Load Program Data" and "Random Load Program Data" in terms of operation sequence and functionality. The only difference is that "Quad Load" instructions will input the data bytes from all four IO pins instead of the single DI pin. This method will significantly shorten the data input time when a large amount of data needs to be loaded into the Data Buffer. The instruction sequence is shown in below.

Both "Quad Load Program Data" and "Quad Random Load Program Data" instructions share the same command sequence. The difference is that "Quad Load Program Data" instruction will reset the unused data bytes in the Data Buffer to FFh value, while "Quad Random Load Program Data" instruction will only update the data bytes that are specified by the command input sequence, the rest of the Data Buffer will remain unchanged.

When WP-E bit in the Status Register is set to a 1, all Quad SPI instructions are disabled.

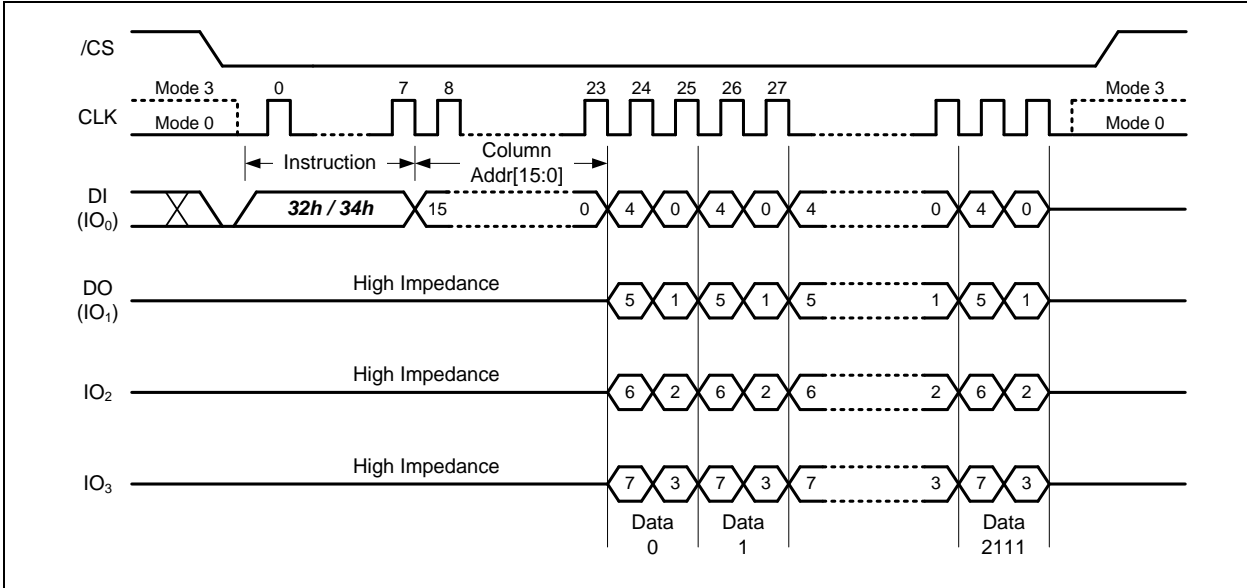


Figure 8-16 Quad Load / Quad Random Load Program Data Instruction



8.2.17 Program Execute (10h)

The Program Execute instruction is the second step of the Program operation. After the program data are loaded into the 2,112-Byte Data Buffer (or 2,048 bytes when ECC is enabled), the Program Execute instruction will program the Data Buffer content into the physical memory page that is specified in the instruction. The instruction is initiated by driving the /CS pin low then shifting the instruction code “10h” followed by 8-bits dummy clocks and the 16-bits Page Address into the DI pin.

After /CS is driven high to complete the instruction cycle, the self-timed Program Execute instruction will commence for a time duration of tPP (See AC Characteristics). While the Program Execute cycle is in progress, the Read Status Register instruction may still be used for checking the status of the BUSY bit. The BUSY bit is a 1 during the Program Execute cycle and becomes a 0 when the cycle is finished and the device is ready to accept other instructions again. After the Program Execute cycle has finished, the Write Enable Latch (WEL) bit in the Status Register is cleared to 0. The Program Execute instruction will not be executed if the addressed page is protected by the Block Protect (TB, BP3, BP2, BP1, and BP0) bits.

The pages within the block have to be programmed sequentially from the lower order page address to the higher order page address within the block. Programming pages out of sequence is prohibited.

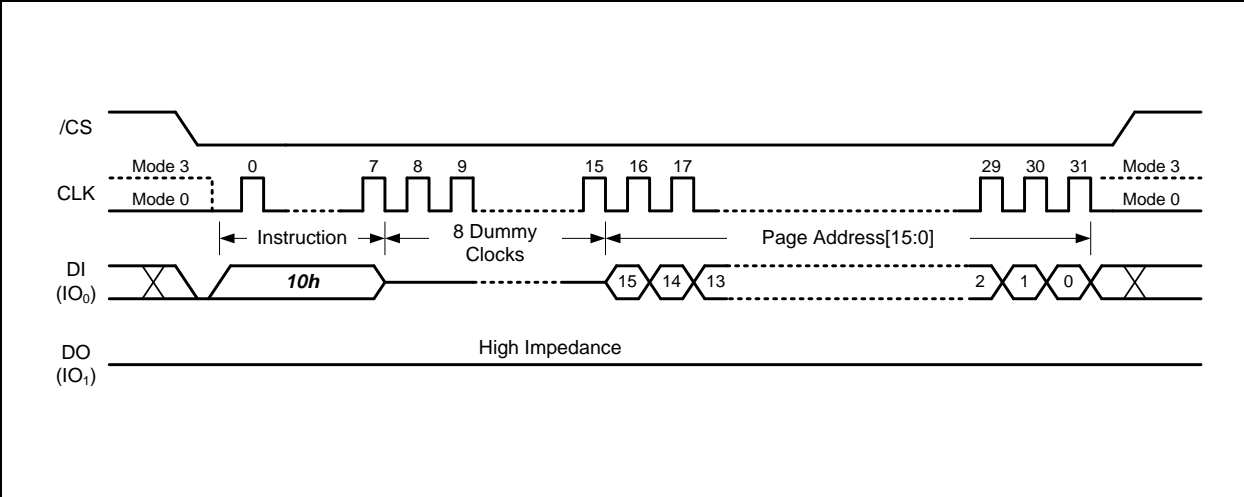


Figure 8-17 Program Execute Instruction



8.2.18 Page Data Read (13h)

The Page Data Read instruction will transfer the data of the specified memory page into the 2,112-Byte Data Buffer. The instruction is initiated by driving the /CS pin low then shifting the instruction code “13h” followed by 8-bits dummy clocks and the 16-bits Page Address into the DI pin.

After /CS is driven high to complete the instruction cycle, the self-timed Read Page Data instruction will commence for a time duration of tRD1 or tRD2 (See AC Characteristics). While the Read Page Data cycle is in progress, the Read Status Register instruction may still be used for checking the status of the BUSY bit. The BUSY bit is a 1 during the Read Page Data cycle and becomes a 0 when the cycle is finished and the device is ready to accept other instructions again.

After the 2,112 bytes of page data are loaded into the Data Buffer, several Read instructions can be issued to access the Data Buffer and read out the data. Depending on the BUF bit setting in the Status Register, either “Buffer Read Mode” or “Continuous Read Mode” may be used to accomplish the read operations.

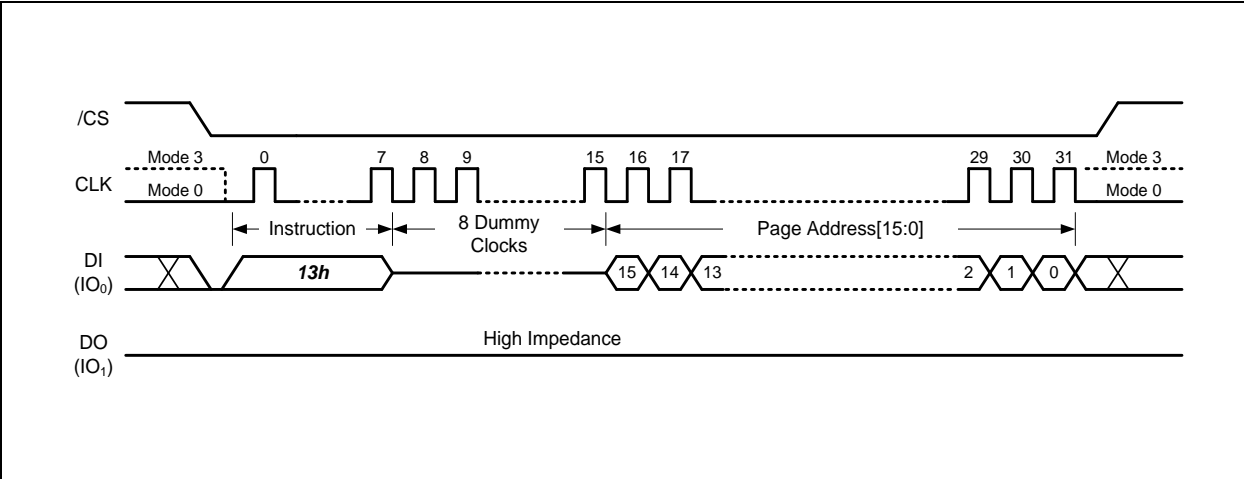


Figure 8-18 Page Data Read Instruction



8.2.19 Read Data (03h)

The Read Data instruction allows one or more data bytes to be sequentially read from the Data Buffer after executing the Read Page Data instruction. The Read Data instruction is initiated by driving the /CS pin low and then shifting the instruction code “03h” followed by the 16-bits Column Address and 8-bits dummy clocks or a 24-bits dummy clocks into the DI pin. After the address is received, the data byte of the addressed Data Buffer location will be shifted out on the DO pin at the falling edge of CLK with most significant bit (MSB) first. The address is automatically incremented to the next higher address after each byte of data is shifted out allowing for a continuous stream of data. The instruction is completed by driving /CS high.

When BUF=1, the device is in the Buffer Read Mode. The data output sequence will start from the Data Buffer location specified by the 16-bits Column Address and continue to the end of the Data Buffer. Once the last byte of data is output, the output pin will become Hi-Z state.

When BUF=0, the device is in the Continuous Read Mode, the data output sequence will start from the first byte of the Data Buffer and increment to the next higher address. When the end of the Data Buffer is reached, the data of the first byte of next memory page will be following and continues through the entire memory array. This allows using a single Read instruction to read out the entire memory array and is also compatible to Winbond’s SpiFlash NOR flash memory command sequence.

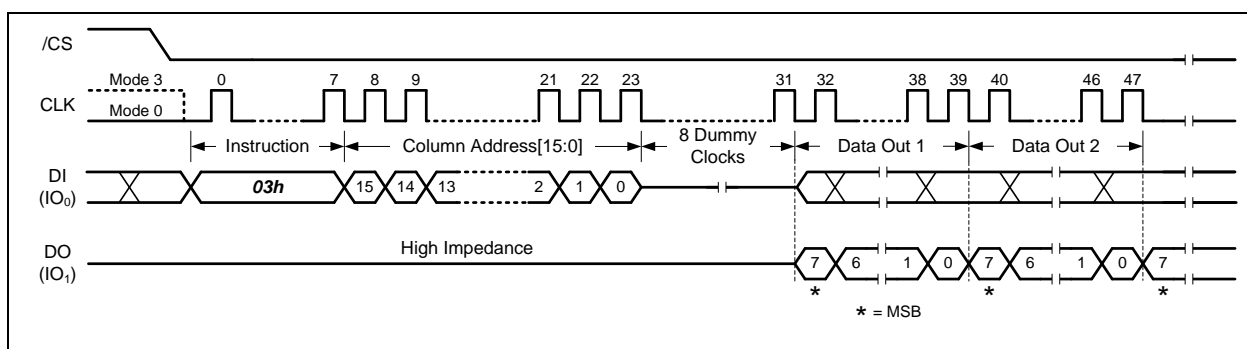


Figure 8-19 Read Data Instruction (Buffer Read Mode, BUF=1)

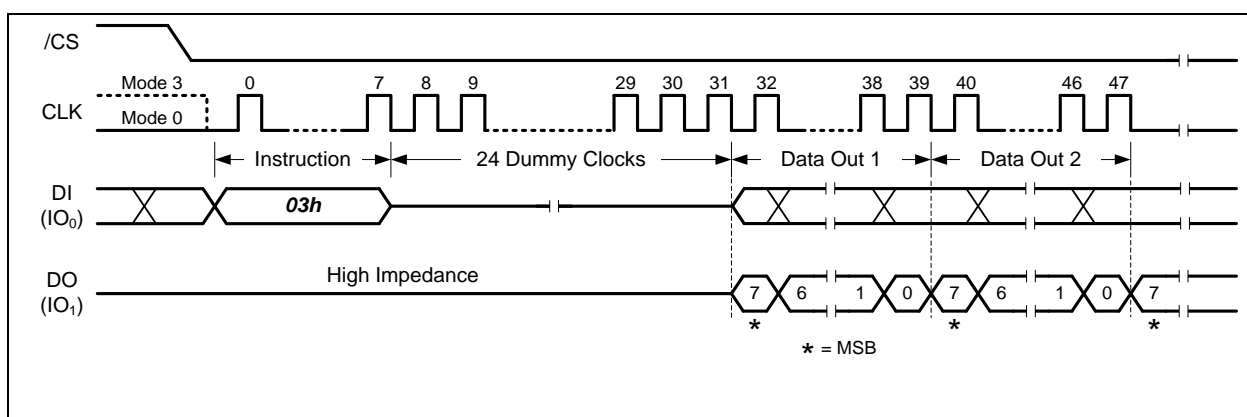


Figure 8-20 Read Data Instruction (Continuous Read Mode, BUF=0)



8.2.20 Fast Read (0Bh)

The Fast Read instruction allows one or more data bytes to be sequentially read from the Data Buffer after executing the Read Page Data instruction. The Fast Read instruction is initiated by driving the /CS pin low and then shifting the instruction code “0Bh” followed by the 16-bits Column Address and 8-bits dummy clocks or a 32-bits dummy clocks into the DI pin. After the address is received, the data byte of the addressed Data Buffer location will be shifted out on the DO pin at the falling edge of CLK with most significant bit (MSB) first. The address is automatically incremented to the next higher address after each byte of data is shifted out allowing for a continuous stream of data. The instruction is completed by driving /CS high.

When BUF=1, the device is in the Buffer Read Mode. The data output sequence will start from the Data Buffer location specified by the 16-bits Column Address and continue to the end of the Data Buffer. Once the last byte of data is output, the output pin will become Hi-Z state.

When BUF=0, the device is in the Continuous Read Mode, the data output sequence will start from the first byte of the Data Buffer and increment to the next higher address. When the end of the Data Buffer is reached, the data of the first byte of next memory page will be following and continues through the entire memory array. This allows using a single Read instruction to read out the entire memory array and is also compatible to Winbond’s SpiFlash NOR flash memory command sequence.

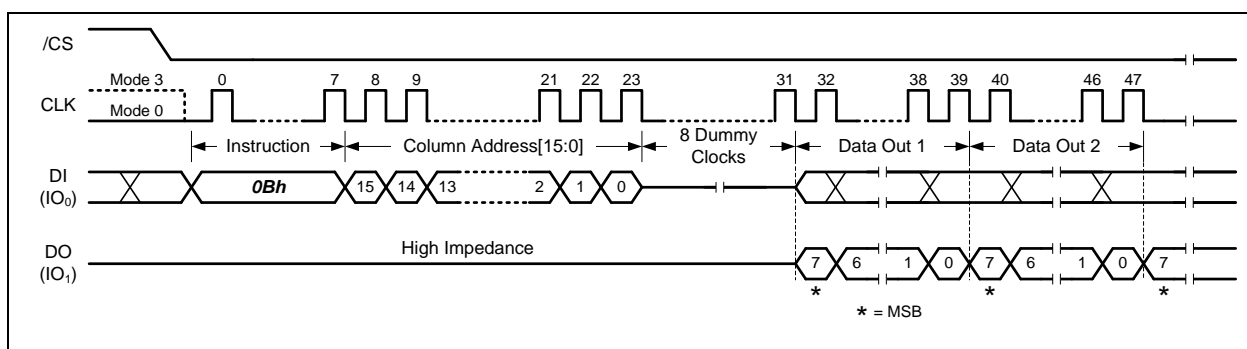


Figure 8-21 Fast Read Instruction (Buffer Read Mode, BUF=1)

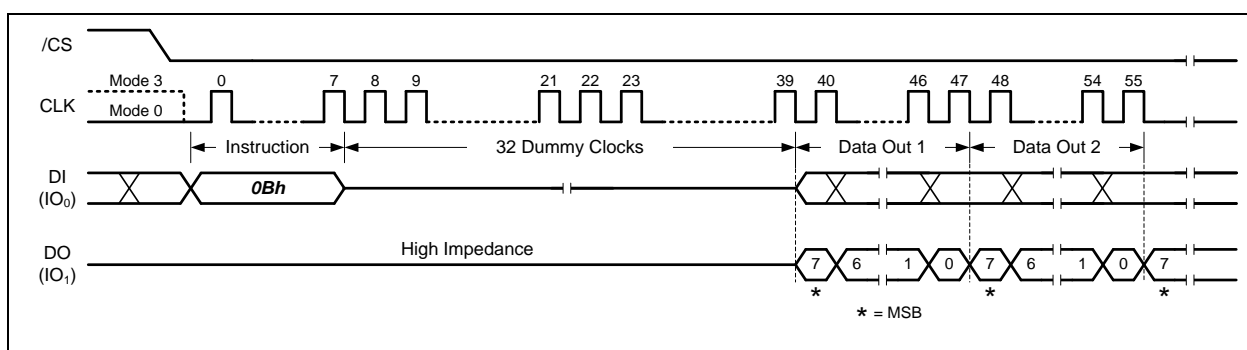


Figure 8-22 Fast Read Instruction (Continuous Read Mode, BUF=0)



8.2.21 Fast Read with 4-Byte Address (0Ch)

The Fast Read instruction allows one or more data bytes to be sequentially read from the Data Buffer after executing the Read Page Data instruction. The Fast Read instruction is initiated by driving the /CS pin low and then shifting the instruction code “0Ch” followed by the 16-bits Column Address and 24-bits dummy clocks (when BUF=1) or 40-bits dummy clocks (when BUF=0) into the DI pin. After the address is received, the data byte of the addressed Data Buffer location will be shifted out on the DO pin at the falling edge of CLK with most significant bit (MSB) first. The address is automatically incremented to the next higher address after each byte of data is shifted out allowing for a continuous stream of data. The instruction is completed by driving /CS high.

When BUF=1, the device is in the Buffer Read Mode. The data output sequence will start from the Data Buffer location specified by the 16-bits Column Address and continue to the end of the Data Buffer. Once the last byte of data is output, the output pin will become Hi-Z state.

When BUF=0, the device is in the Continuous Read Mode, the data output sequence will start from the first byte of the Data Buffer and increment to the next higher address. When the end of the Data Buffer is reached, the data of the first byte of next memory page will be following and continues through the entire memory array. This allows using a single Read instruction to read out the entire memory array and is also compatible to Winbond’s SpiFlash NOR flash memory command sequence.

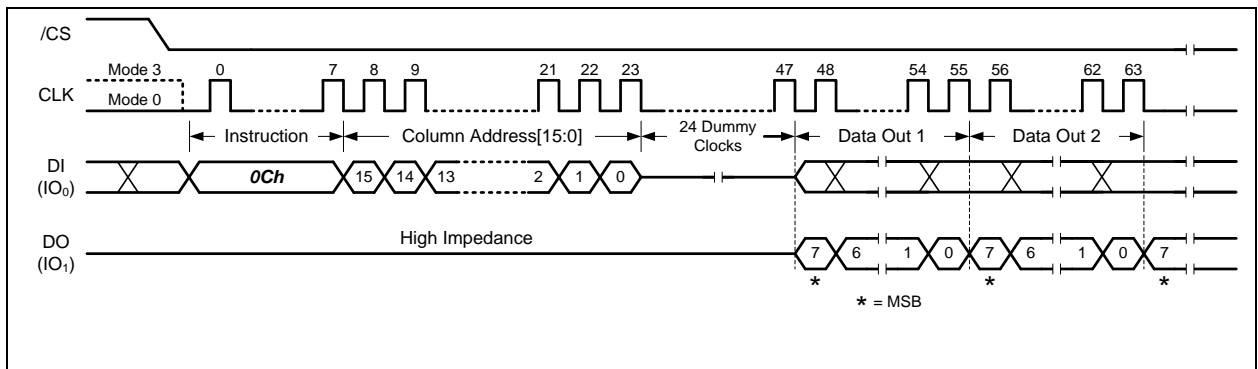


Figure 8-23 Fast Read with 4-Byte Address Instruction (Buffer Read Mode, BUF=1)

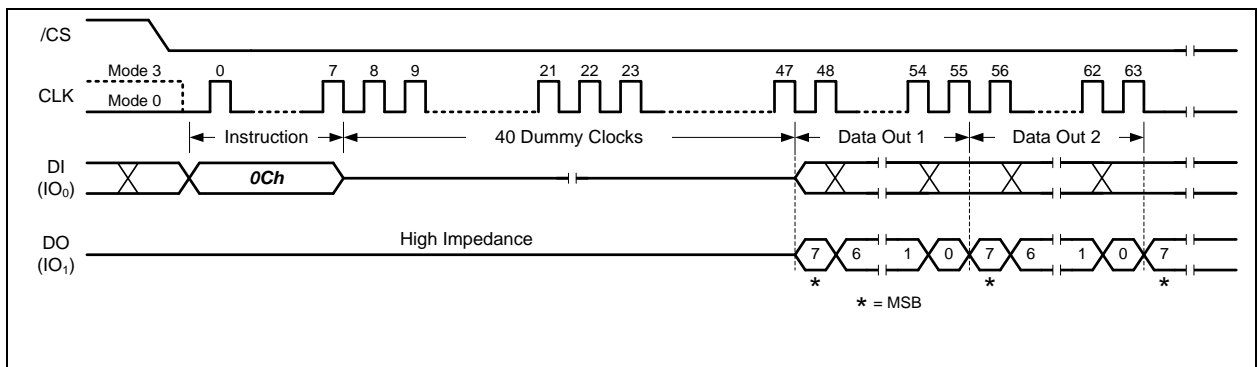


Figure 8-24 Fast Read with 4-Byte Address Instruction (Continuous Read Mode, BUF=0)



8.2.22 Fast Read Dual Output (3Bh)

The Fast Read Dual Output instruction is similar to the standard Fast Read (0Bh) instruction except that data is output on two pins; IO₀ and IO₁. This allows data to be transferred at twice the rate of standard SPI devices.

When BUF=1, the device is in the Buffer Read Mode. The data output sequence will start from the Data Buffer location specified by the 16-bits Column Address and continue to the end of the Data Buffer. Once the last byte of data is output, the output pin will become Hi-Z state.

When BUF=0, the device is in the Continuous Read Mode, the data output sequence will start from the first byte of the Data Buffer and increment to the next higher address. When the end of the Data Buffer is reached, the data of the first byte of next memory page will be following and continues through the entire memory array. This allows using a single Read instruction to read out the entire memory array and is also compatible to Winbond's SpiFlash NOR flash memory command sequence.

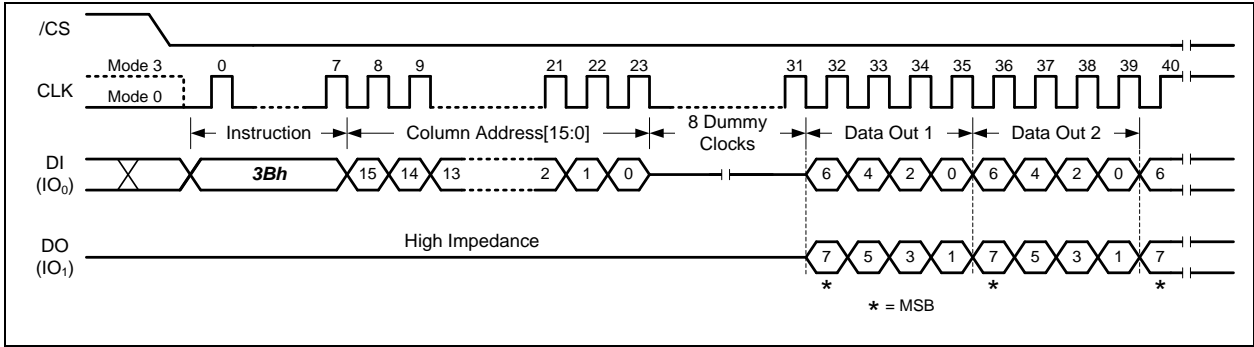


Figure 8-25 Fast Read Dual Output Instruction (Buffer Read Mode, BUF=1)

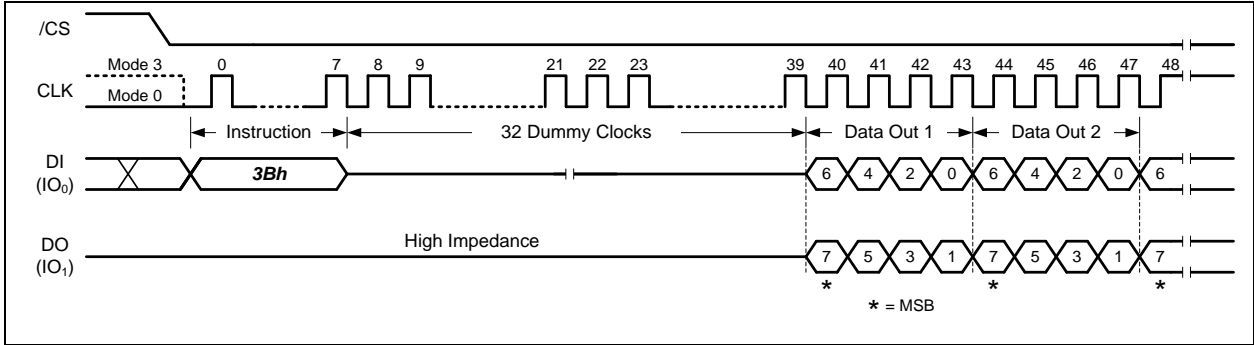


Figure 8-26 Fast Read Dual Output Instruction (Continuous Read Mode, BUF=0)



8.2.23 Fast Read Dual Output with 4-Byte Address (3Ch)

The Fast Read Dual Output instruction is similar to the standard Fast Read (0Bh) instruction except that data is output on two pins; IO₀ and IO₁. This allows data to be transferred at twice the rate of standard SPI devices.

When BUF=1, the device is in the Buffer Read Mode. The data output sequence will start from the Data Buffer location specified by the 16-bits Column Address and continue to the end of the Data Buffer. Once the last byte of data is output, the output pin will become Hi-Z state.

When BUF=0, the device is in the Continuous Read Mode, the data output sequence will start from the first byte of the Data Buffer and increment to the next higher address. When the end of the Data Buffer is reached, the data of the first byte of next memory page will be following and continues through the entire memory array. This allows using a single Read instruction to read out the entire memory array and is also compatible to Winbond's SpiFlash NOR flash memory command sequence.

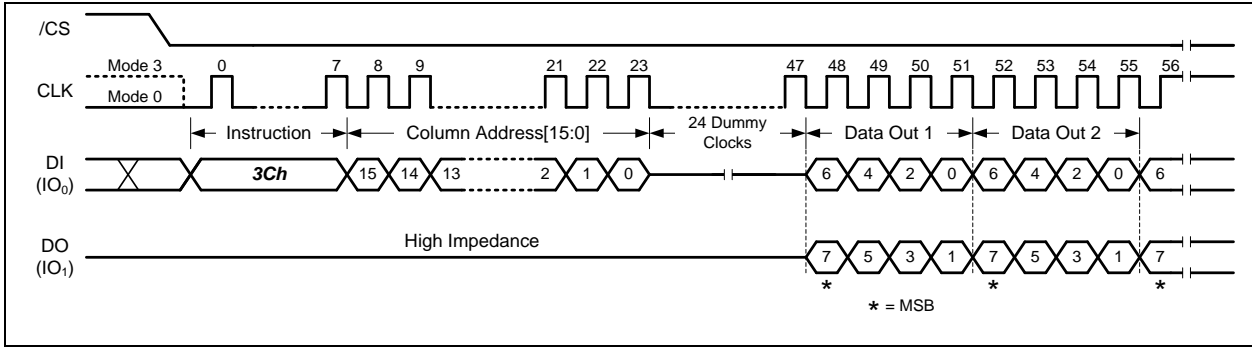


Figure 8-27 Fast Read Dual Output with 4-Byte Address Instruction (Buffer Read Mode, BUF=1)

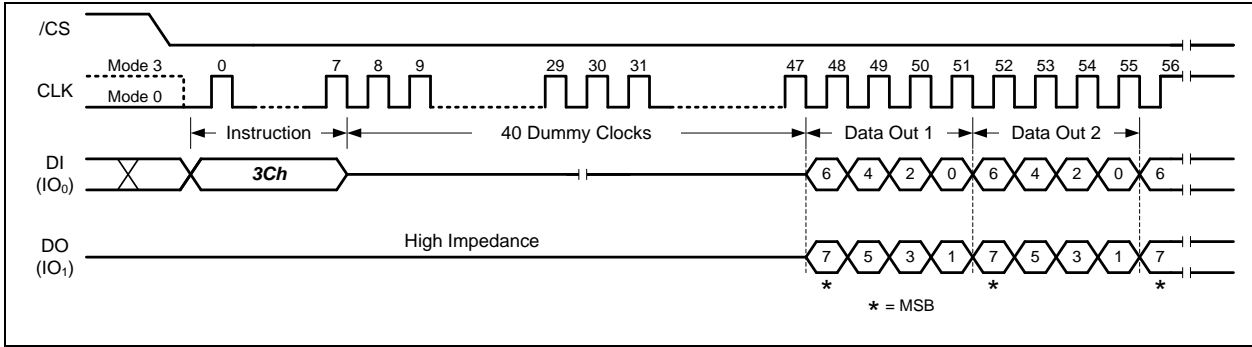


Figure 8-28 Fast Read Dual Output with 4-Byte Address Instruction (Continuous Read Mode, BUF=0)



8.2.24 Fast Read Quad Output (6Bh)

The Fast Read Quad Output instruction is similar to the Fast Read Dual Output (3Bh) instruction except that data is output on four pins, IO₀, IO₁, IO₂, and IO₃. The Quad Enable (QE) bit in Status Register-2 must be set to 1 before the device will accept the Fast Read Quad Output Instruction. The Fast Read Quad Output Instruction allows data to be transferred at four times the rate of standard SPI devices.

When BUF=1, the device is in the Buffer Read Mode. The data output sequence will start from the Data Buffer location specified by the 16-bits Column Address and continue to the end of the Data Buffer. Once the last byte of data is output, the output pin will become Hi-Z state.

When BUF=0, the device is in the Continuous Read Mode, the data output sequence will start from the first byte of the Data Buffer and increment to the next higher address. When the end of the Data Buffer is reached, the data of the first byte of next memory page will be following and continues through the entire memory array. This allows using a single Read instruction to read out the entire memory array and is also compatible to Winbond's SpiFlash NOR flash memory command sequence.

When WP-E bit in the Status Register is set to a 1, this instruction is disabled.

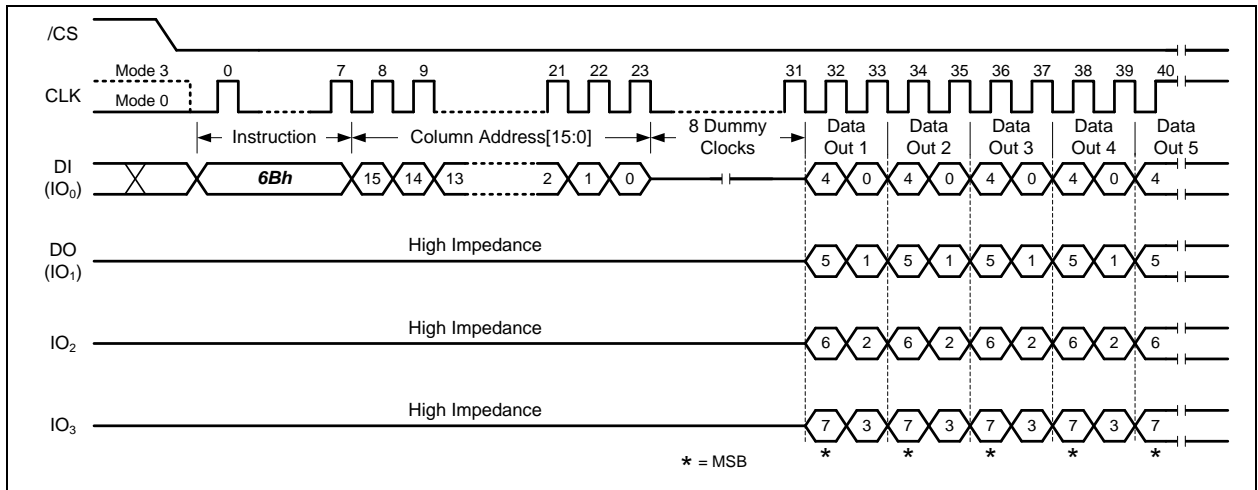


Figure 8-29 Fast Read Quad Output Instruction (Buffer Read Mode, BUF=1)

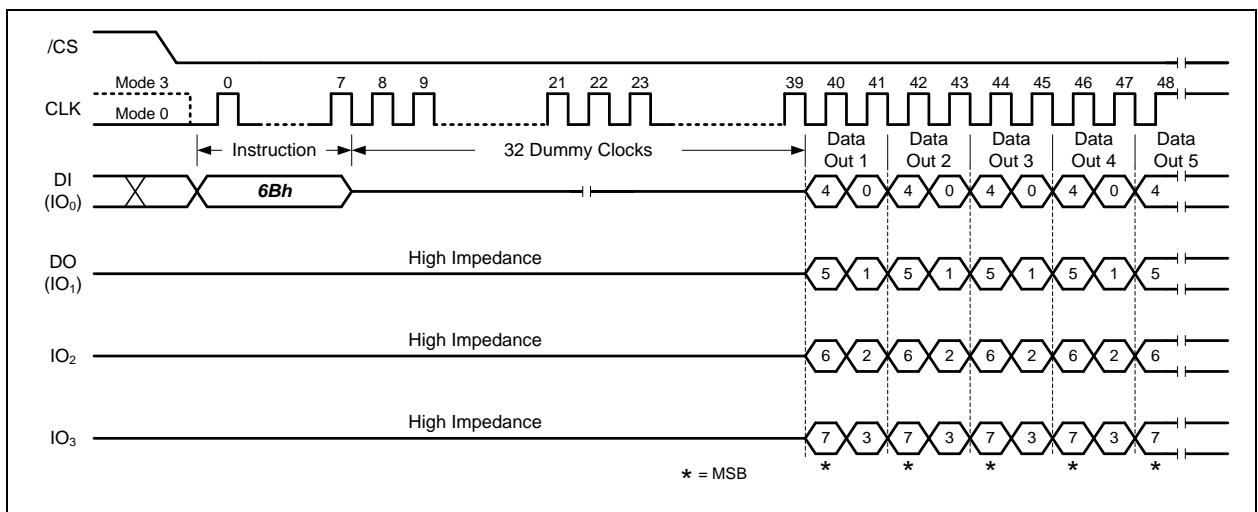


Figure 8-30 Fast Read Quad Output Instruction (Continuous Read Mode, BUF=0)



8.2.25 Fast Read Quad Output with 4-Byte Address (6Ch)

The Fast Read Quad Output instruction is similar to the Fast Read Dual Output (3Bh) instruction except that data is output on four pins, IO₀, IO₁, IO₂, and IO₃. The Quad Enable (QE) bit in Status Register-2 must be set to 1 before the device will accept the Fast Read Quad Output Instruction. The Fast Read Quad Output Instruction allows data to be transferred at four times the rate of standard SPI devices.

When BUF=1, the device is in the Buffer Read Mode. The data output sequence will start from the Data Buffer location specified by the 16-bits Column Address and continue to the end of the Data Buffer. Once the last byte of data is output, the output pin will become Hi-Z state.

When BUF=0, the device is in the Continuous Read Mode, the data output sequence will start from the first byte of the Data Buffer and increment to the next higher address. When the end of the Data Buffer is reached, the data of the first byte of next memory page will be following and continues through the entire memory array. This allows using a single Read instruction to read out the entire memory array and is also compatible to Winbond's SpiFlash NOR flash memory command sequence.

When WP-E bit in the Status Register is set to a 1, this instruction is disabled.

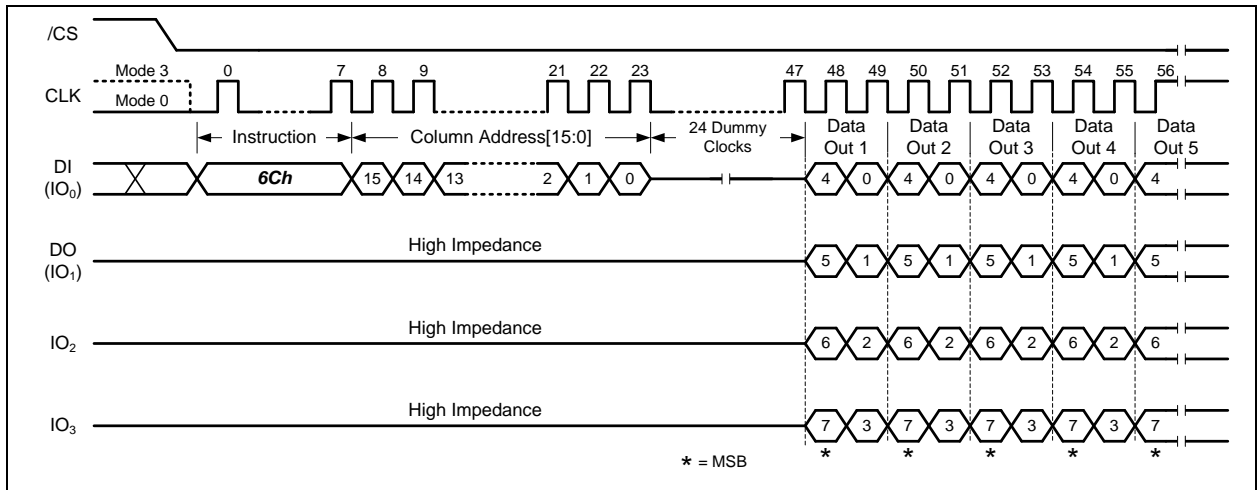


Figure 8-31 Fast Read Quad Output with 4-Byte Address Instruction (Buffer Read Mode, BUF=1)

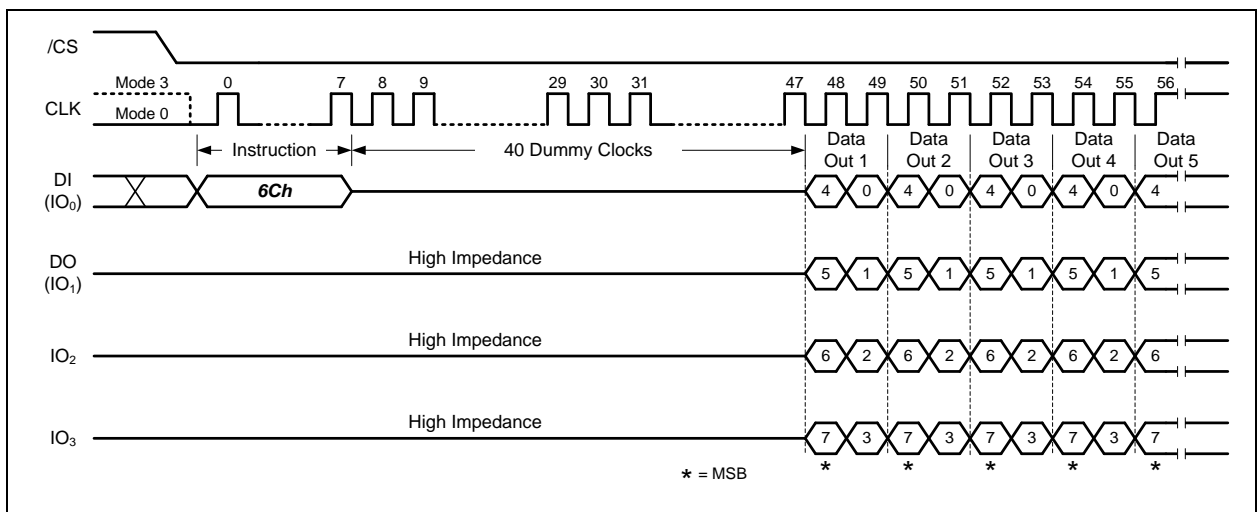


Figure 8-32 Fast Read Quad Output with 4-Byte Address Instruction (Continuous Read Mode, BUF=0)



8.2.26 Fast Read Dual I/O (BBh)

The Fast Read Dual I/O (BBh) instruction allows for improved random access while maintaining two IO pins, IO₀ and IO₁. It is similar to the Fast Read Dual Output (3Bh) instruction but with the capability to input the Column Address or the dummy clocks two bits per clock. This reduced instruction overhead may allow for code execution (XIP) directly from the Dual SPI in some applications.

When BUF=1, the device is in the Buffer Read Mode. The data output sequence will start from the Data Buffer location specified by the 16-bits Column Address and continue to the end of the Data Buffer. Once the last byte of data is output, the output pin will become Hi-Z state.

When BUF=0, the device is in the Continuous Read Mode, the data output sequence will start from the first byte of the Data Buffer and increment to the next higher address. When the end of the Data Buffer is reached, the data of the first byte of next memory page will be following and continues through the entire memory array. This allows using a single Read instruction to read out the entire memory array and is also compatible to Winbond's SpiFlash NOR flash memory command sequence.

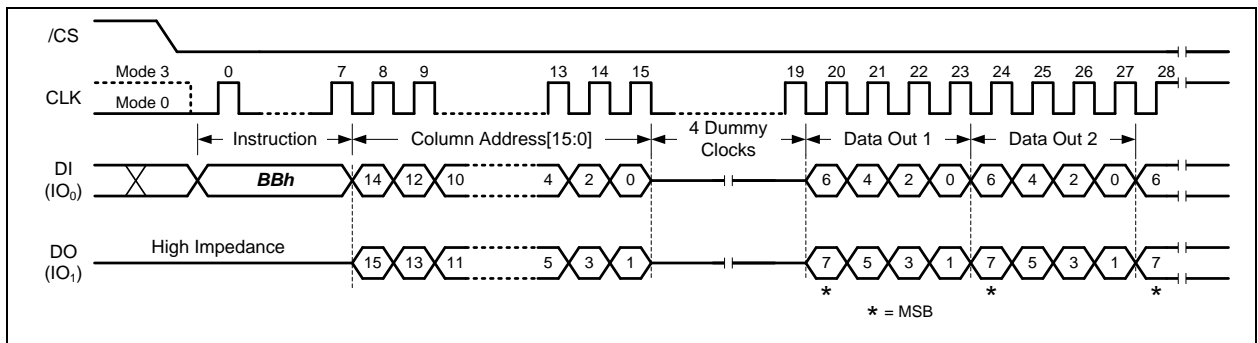


Figure 8-33 Fast Read Dual I/O Instruction (Buffer Read Mode, BUF=1)

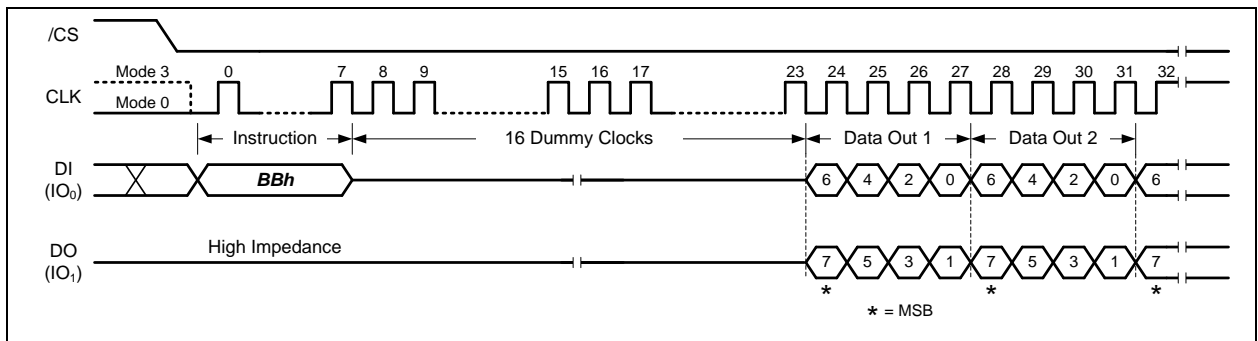


Figure 8-34 Fast Read Dual I/O Instruction (Continuous Read Mode, BUF=0)



8.2.27 Fast Read Dual I/O with 4-Byte Address (BCh)

The Fast Read Dual I/O instruction allows for improved random access while maintaining two IO pins, IO₀ and IO₁. It is similar to the Fast Read Dual Output (3Bh) instruction but with the capability to input the Column Address or the dummy clocks two bits per clock. This reduced instruction overhead may allow for code execution (XIP) directly from the Dual SPI in some applications.

When BUF=1, the device is in the Buffer Read Mode. The data output sequence will start from the Data Buffer location specified by the 16-bits Column Address and continue to the end of the Data Buffer. Once the last byte of data is output, the output pin will become Hi-Z state.

When BUF=0, the device is in the Continuous Read Mode, the data output sequence will start from the first byte of the Data Buffer and increment to the next higher address. When the end of the Data Buffer is reached, the data of the first byte of next memory page will be following and continues through the entire memory array. This allows using a single Read instruction to read out the entire memory array and is also compatible to Winbond's SpiFlash NOR flash memory command sequence.

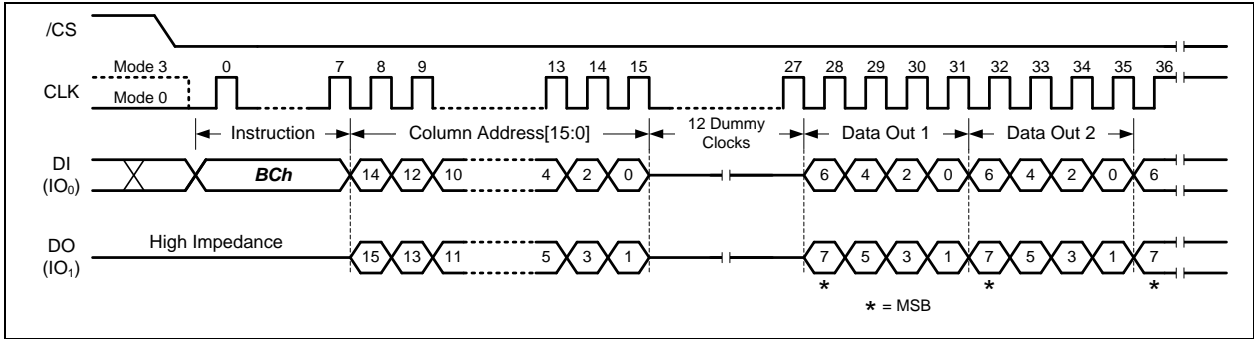


Figure 8-35 Fast Read Dual I/O with 4-Byte Address Instruction (Buffer Read Mode, BUF=1)

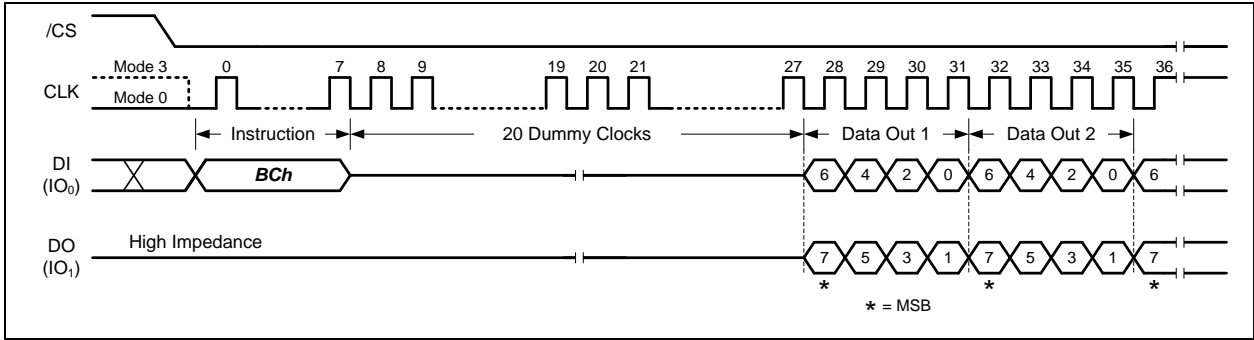


Figure 8-36 Fast Read Dual I/O with 4-Byte Address Instruction (Continuous Read Mode, BUF=0)



8.2.28 Fast Read Quad I/O (EBh)

The Fast Read Quad I/O instruction is similar to the Fast Read Dual I/O (BBh) instruction except that address and data bits are input and output through four pins IO0, IO1, IO2 and IO3 prior to the data output. The Quad Enable (QE) bit in Status Register-2 must be set to 1 before the device will accept the Fast Read Quad I/O Instruction. The Quad I/O dramatically reduces instruction overhead allowing faster random access for code execution (XIP) directly from the Quad SPI.

When BUF=1, the device is in the Buffer Read Mode. The data output sequence will start from the Data Buffer location specified by the 16-bits Column Address and continue to the end of the Data Buffer. Once the last byte of data is output, the output pin will become Hi-Z state.

When BUF=0, the device is in the Continuous Read Mode, the data output sequence will start from the first byte of the Data Buffer and increment to the next higher address. When the end of the Data Buffer is reached, the data of the first byte of next memory page will be following and continues through the entire memory array. This allows using a single Read instruction to read out the entire memory array and is also compatible to Winbond's SpiFlash NOR flash memory command sequence.

When WP-E bit in the Status Register is set to a 1, this instruction is disabled.

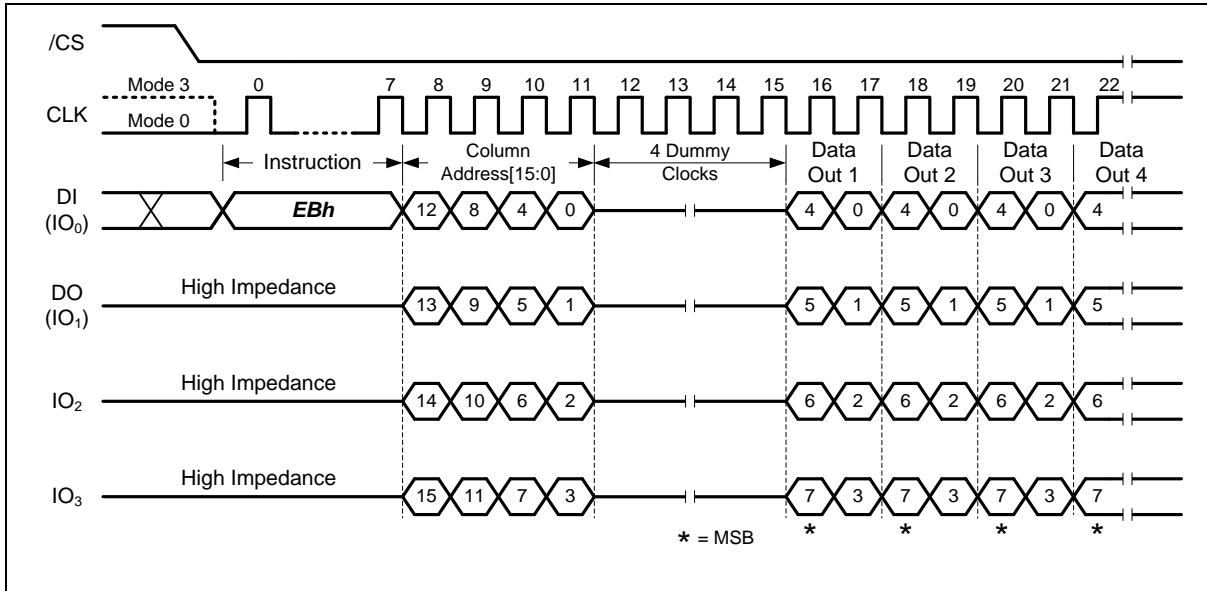


Figure 8-37 Fast Read Quad I/O Instruction (Buffer Read Mode, BUF=1)

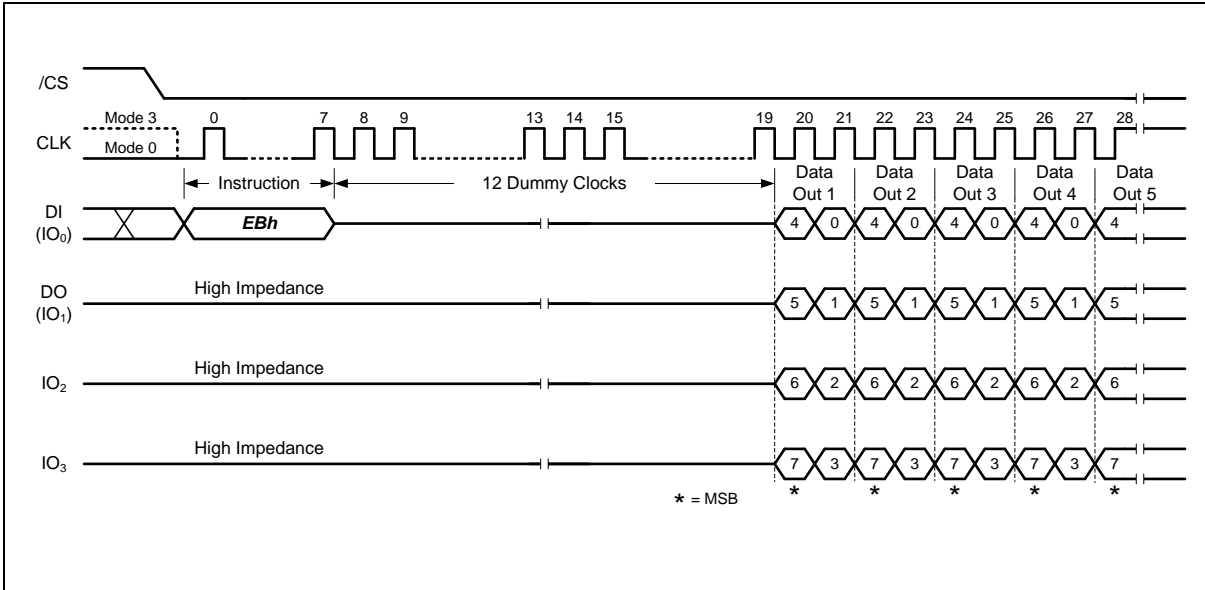


Figure 8-38 Fast Read Quad I/O Instruction (Continuous Read Mode, BUF=0)



8.2.29 Fast Read Quad I/O with 4-Byte Address (ECh)

The Fast Read Quad I/O instruction is similar to the Fast Read Dual I/O (BBh) instruction except that address and data bits are input and output through four pins IO0, IO1, IO2 and IO3 prior to the data output. The Quad Enable (QE) bit in Status Register-2 must be set to 1 before the device will accept the Fast Read Quad I/O Instruction. The Quad I/O dramatically reduces instruction overhead allowing faster random access for code execution (XIP) directly from the Quad SPI.

When BUF=1, the device is in the Buffer Read Mode. The data output sequence will start from the Data Buffer location specified by the 16-bits Column Address and continue to the end of the Data Buffer. Once the last byte of data is output, the output pin will become Hi-Z state.

When BUF=0, the device is in the Continuous Read Mode, the data output sequence will start from the first byte of the Data Buffer and increment to the next higher address. When the end of the Data Buffer is reached, the data of the first byte of next memory page will be following and continues through the entire memory array. This allows using a single Read instruction to read out the entire memory array and is also compatible to Winbond's SpiFlash NOR flash memory command sequence.

When WP-E bit in the Status Register is set to a 1, this instruction is disabled.

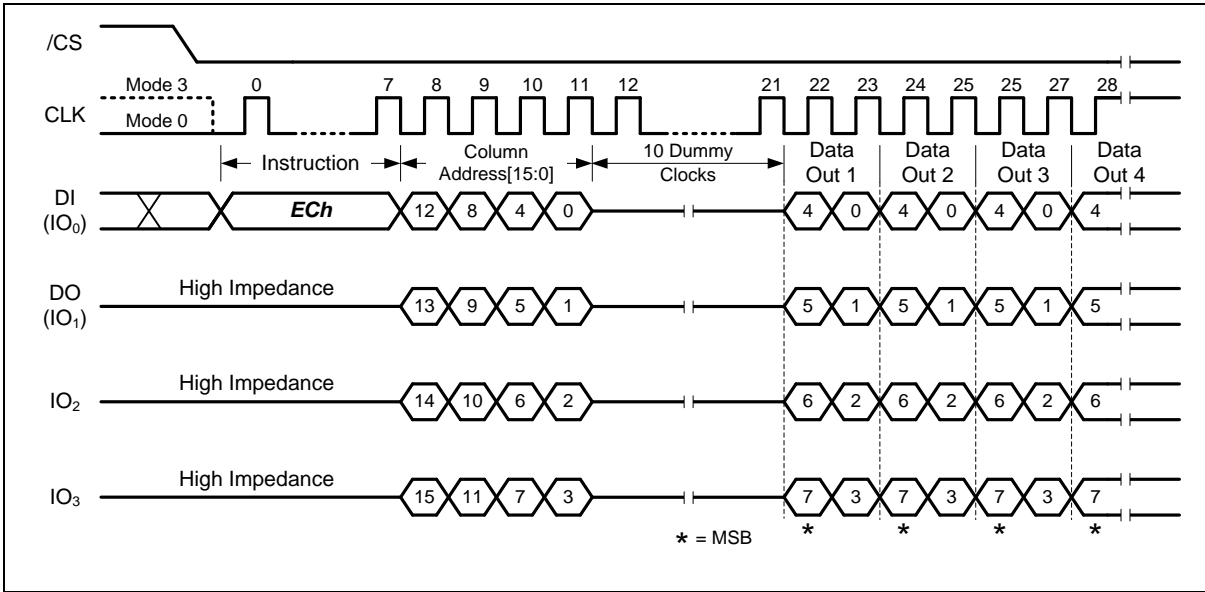


Figure 8-39 Fast Read Quad I/O with 4-Byte Address Instruction (Buffer Read Mode, BUF=1)

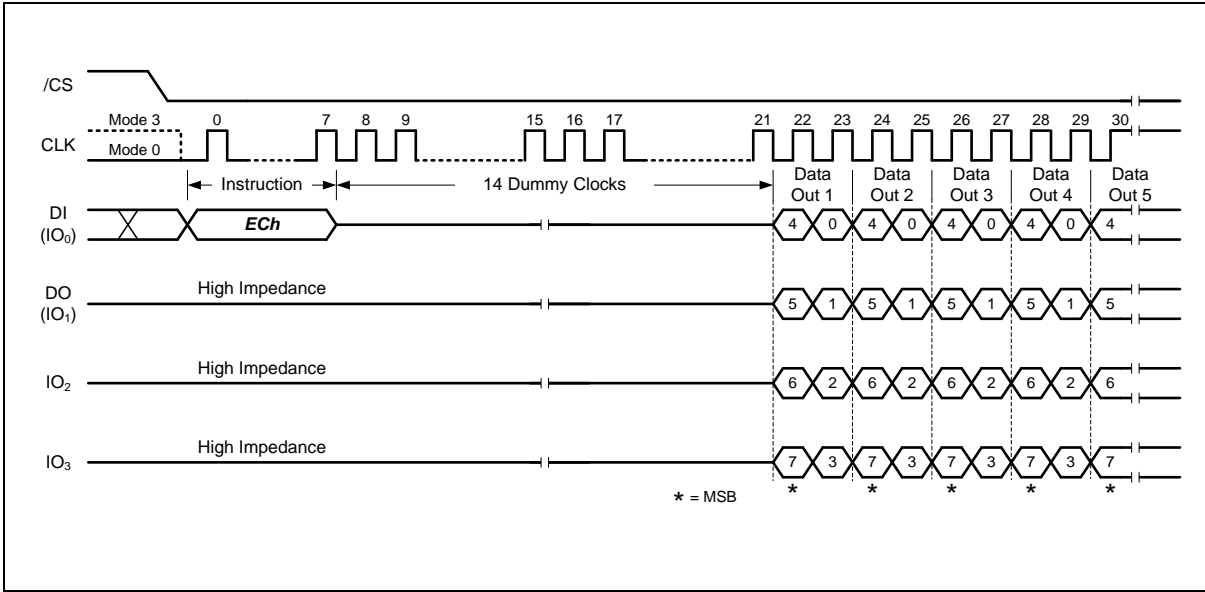


Figure 8-40 Fast Read Quad I/O with 4-Byte Address Instruction (Continuous Read Mode, BUF=0)



8.2.30 DTR Fast Read (0Dh)

The DTR Fast Read instruction allows one or more data bytes to be sequentially read from the Data Buffer after executing the Read Page Data instruction. The DTR Fast Read instruction is initiated by driving the /CS pin low and then shifting the instruction code “0Dh” followed by the 16-bits Column Address and 8-bits dummy clocks or 16-bits dummy clocks into the DI pin. After the address is received, the data byte of the addressed Data Buffer location will be shifted out on the DO pin at the both edge of CLK with most significant bit (MSB) first. The address is automatically incremented to the next higher address after each byte of data is shifted out allowing for a continuous stream of data. The instruction is completed by driving /CS high.

When BUF=1, the device is in the Buffer Read Mode. The data output sequence will start from the Data Buffer location specified by the 16-bits Column Address and continue to the end of the Data Buffer. Once the last byte of data is output, the output pin will become Hi-Z state.

When BUF=0, the device is in the Continuous Read Mode, the data output sequence will start from the first byte of the Data Buffer and increment to the next higher address. When the end of the Data Buffer is reached, the data of the first byte of next memory page will be following and continues through the entire memory array. This allows using a single Read instruction to read out the entire memory array and is also compatible to Winbond’s SpiFlash NOR flash memory command sequence.

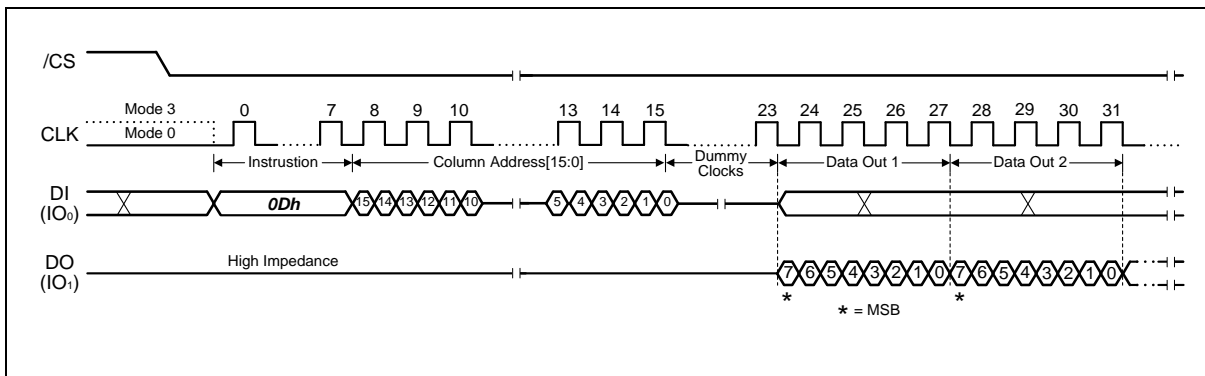


Figure 8-41 DTR Fast Read Instruction (Buffer Read Mode, BUF=1)

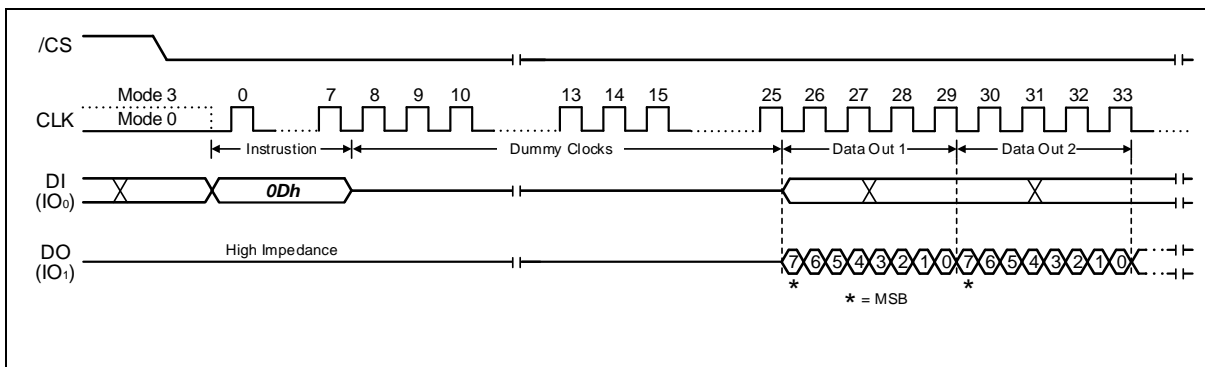


Figure 8-42 DTR Fast Read Instruction (Continuous Read Mode, BUF=0)



8.2.31 DTR Fast Read with 4-Byte Address (0Eh)

The DTR Fast Read instruction allows one or more data bytes to be sequentially read from the Data Buffer after executing the Read Page Data instruction. The DTR Fast Read instruction is initiated by driving the /CS pin low and then shifting the instruction code "0Eh" followed by the 16-bits Column Address and 24-bits dummy clocks or 40-bits dummy clocks into the DI pin. After the address is received, the data byte of the addressed Data Buffer location will be shifted out on the DO pin at the both edge of CLK with most significant bit (MSB) first. The address is automatically incremented to the next higher address after each byte of data is shifted out allowing for a continuous stream of data. The instruction is completed by driving /CS high.

When BUF=1, the device is in the Buffer Read Mode. The data output sequence will start from the Data Buffer location specified by the 16-bits Column Address and continue to the end of the Data Buffer. Once the last byte of data is output, the output pin will become Hi-Z state.

When BUF=0, the device is in the Continuous Read Mode, the data output sequence will start from the first byte of the Data Buffer and increment to the next higher address. When the end of the Data Buffer is reached, the data of the first byte of next memory page will be following and continues through the entire memory array. This allows using a single Read instruction to read out the entire memory array and is also compatible to Winbond's SpiFlash NOR flash memory command sequence.

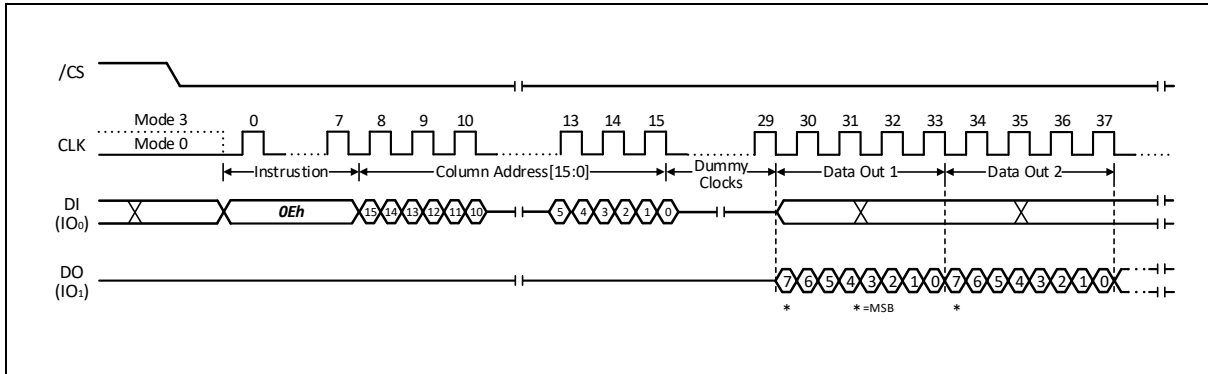


Figure 8-43 DTR Fast Read with 4-Byte Address Instruction (Buffer Read Mode, BUF=1)

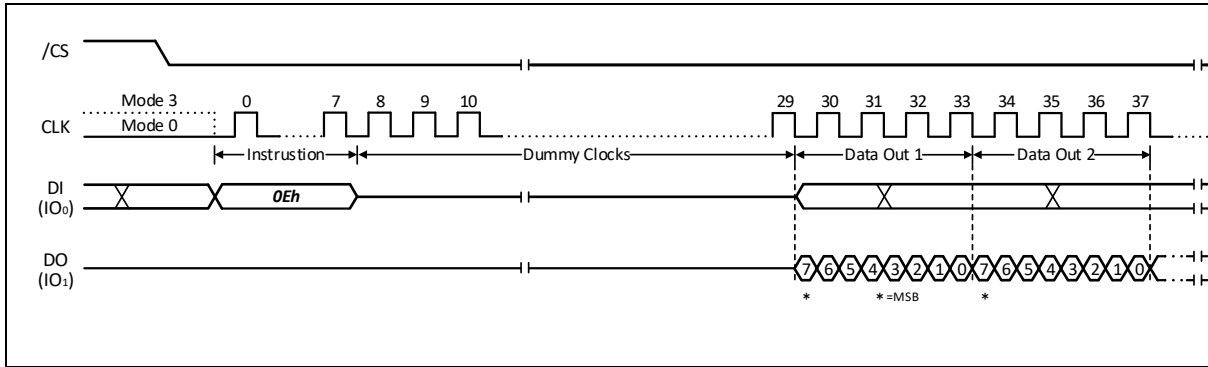


Figure 8-44 DTR Fast Read with 4-Byte Address Instruction (Continuous Read Mode, BUF=0)



8.2.32 DTR Fast Read Dual Output (3Dh)

The DTR Fast Read Dual Output instruction is similar to the DTR Fast Read (0Dh) instruction except that data is output on two pins; IO₀ and IO₁. This allows data to be transferred at twice the rate of the DTR Fast Read (0Dh) instruction.

When BUF=1, the device is in the Buffer Read Mode. The data output sequence will start from the Data Buffer location specified by the 16-bits Column Address and continue to the end of the Data Buffer. Once the last byte of data is output, the output pin will become Hi-Z state.

When BUF=0, the device is in the Continuous Read Mode, the data output sequence will start from the first byte of the Data Buffer and increment to the next higher address. When the end of the Data Buffer is reached, the data of the first byte of next memory page will be following and continues through the entire memory array. This allows using a single Read instruction to read out the entire memory array and is also compatible to Winbond's SpiFlash NOR flash memory command sequence.

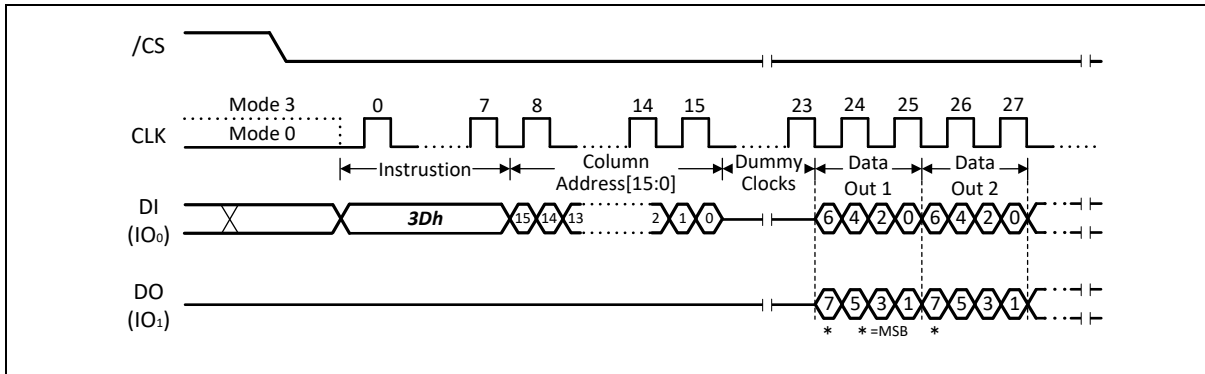


Figure 8-45 DTR Fast Read Dual Output Instruction (Buffer Read Mode, BUF=1)

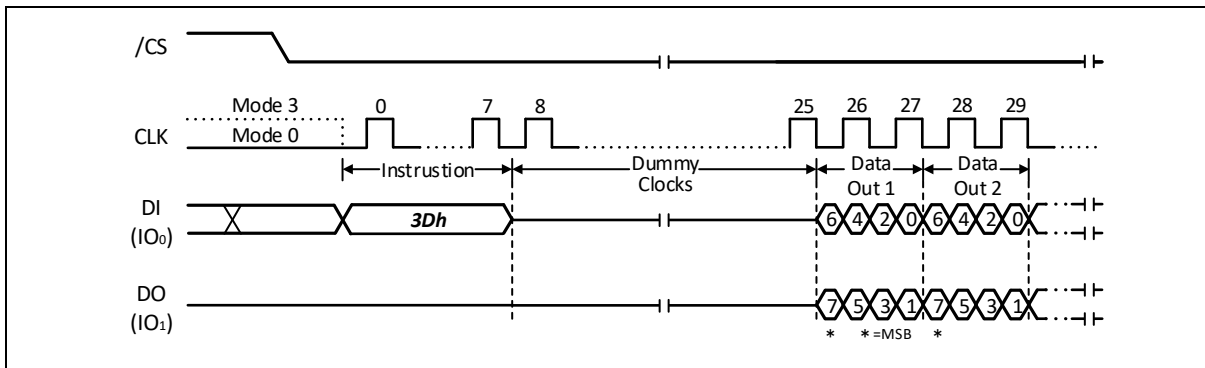


Figure 8-46 DTR Fast Read Dual Output Instruction (Continuous Read Mode, BUF=0)



8.2.33 DTR Fast Read Quad Output (6Dh)

The DTR Fast Read Quad Output instruction is similar to the DTR Fast Read Dual Output (3Dh) instruction except that data is output on four pins, IO₀, IO₁, IO₂, and IO₃. The Quad Enable (QE) bit in Status Register-2 must be set to 1 before the device will accept the DTR Fast Read Quad Output Instruction. The DTR Fast Read Quad Output Instruction allows data to be transferred at four times the rate of the DTR Fast Read (0Dh) instruction.

When BUF=1, the device is in the Buffer Read Mode. The data output sequence will start from the Data Buffer location specified by the 16-bits Column Address and continue to the end of the Data Buffer. Once the last byte of data is output, the output pin will become Hi-Z state.

When BUF=0, the device is in the Continuous Read Mode, the data output sequence will start from the first byte of the Data Buffer and increment to the next higher address. When the end of the Data Buffer is reached, the data of the first byte of next memory page will be following and continues through the entire memory array. This allows using a single Read instruction to read out the entire memory array and is also compatible to Winbond's SpiFlash NOR flash memory command sequence.

When WP-E bit in the Status Register is set to a 1, this instruction is disabled.

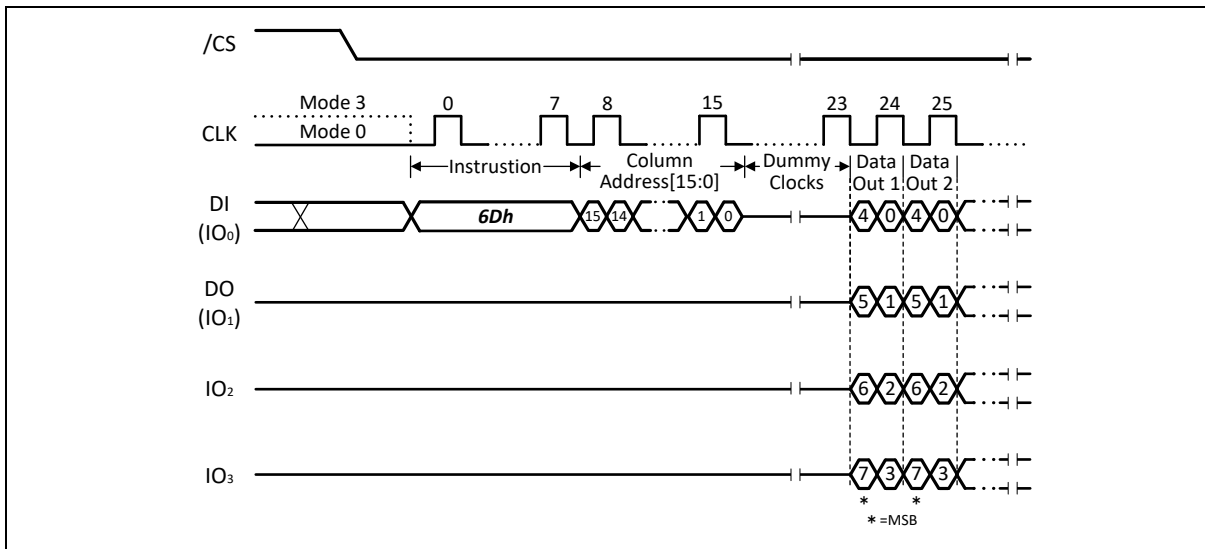


Figure 8-47 DTR Fast Read Quad Output Instruction (Buffer Read Mode, BUF=1)

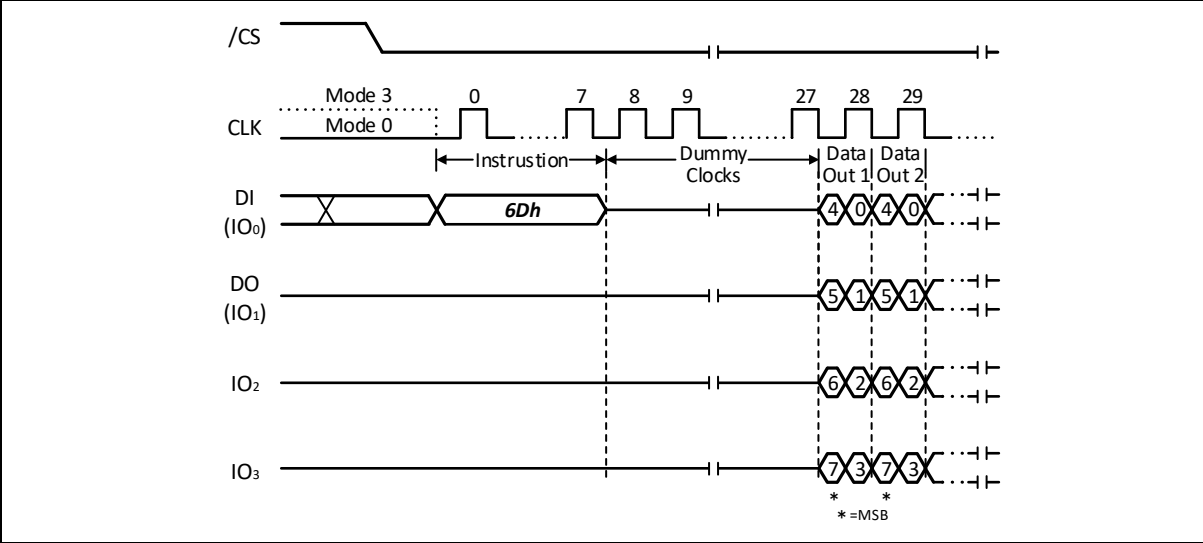


Figure 8-48 DTR Fast Read Quad Output Instruction (Continuous Read Mode, BUF=0)



8.2.34 DTR Fast Read Dual I/O (BDh)

The DTR Fast Read Dual I/O (BDh) instruction allows for improved random access while maintaining two IO pins, IO₀ and IO₁. It is similar to the DTR Fast Read Dual Output (3Dh) instruction but with the capability to input the Column Address or the dummy clocks four bits per clock. This reduced instruction overhead may allow for code execution (XIP) directly from the Dual SPI in some applications.

When BUF=1, the device is in the Buffer Read Mode. The data output sequence will start from the Data Buffer location specified by the 16-bits Column Address and continue to the end of the Data Buffer. Once the last byte of data is output, the output pin will become Hi-Z state.

When BUF=0, the device is in the Continuous Read Mode, the data output sequence will start from the first byte of the Data Buffer and increment to the next higher address. When the end of the Data Buffer is reached, the data of the first byte of next memory page will be following and continues through the entire memory array. This allows using a single Read instruction to read out the entire memory array and is also compatible to Winbond's SpiFlash NOR flash memory command sequence.

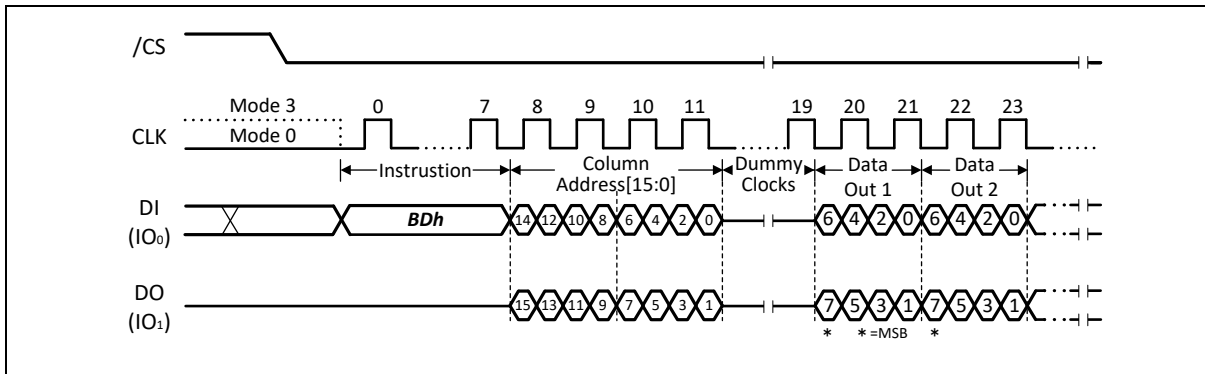


Figure 8-49 DTR Fast Read Dual I/O Instruction (Buffer Read Mode, BUF=1)

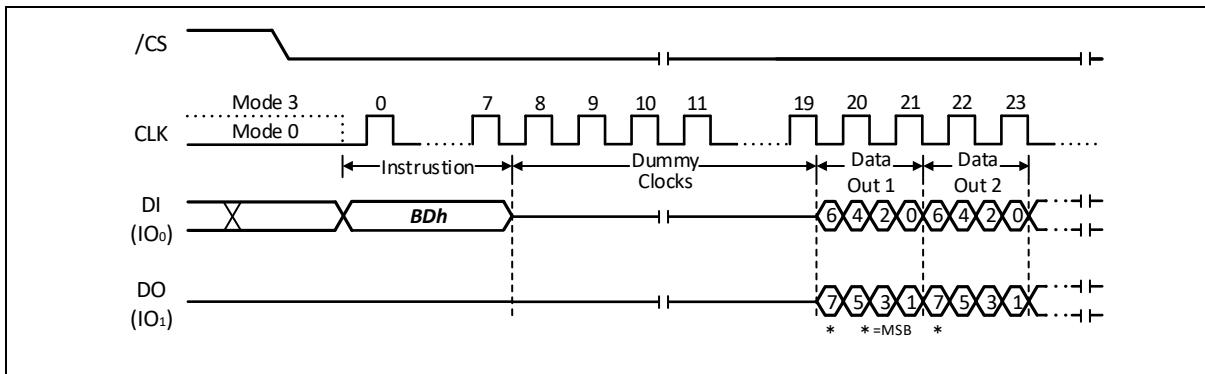


Figure 8-50 DTR Fast Read Dual I/O Instruction (Continuous Read Mode, BUF=0)



8.2.35 DTR Fast Read Dual I/O with 4-Byte Address (BEh)

The DTR Fast Read Dual I/O instruction allows for improved random access while maintaining two IO pins, IO₀ and IO₁. It is similar to the DTR Fast Read Dual Output (3Dh) instruction but with the capability to input the Column Address or the dummy clocks four bits per clock. This reduced instruction overhead may allow for code execution (XIP) directly from the Dual SPI in some applications.

When BUF=1, the device is in the Buffer Read Mode. The data output sequence will start from the Data Buffer location specified by the 16-bits Column Address and continue to the end of the Data Buffer. Once the last byte of data is output, the output pin will become Hi-Z state.

When BUF=0, the device is in the Continuous Read Mode, the data output sequence will start from the first byte of the Data Buffer and increment to the next higher address. When the end of the Data Buffer is reached, the data of the first byte of next memory page will be following and continues through the entire memory array. This allows using a single Read instruction to read out the entire memory array and is also compatible to Winbond's SpiFlash NOR flash memory command sequence.

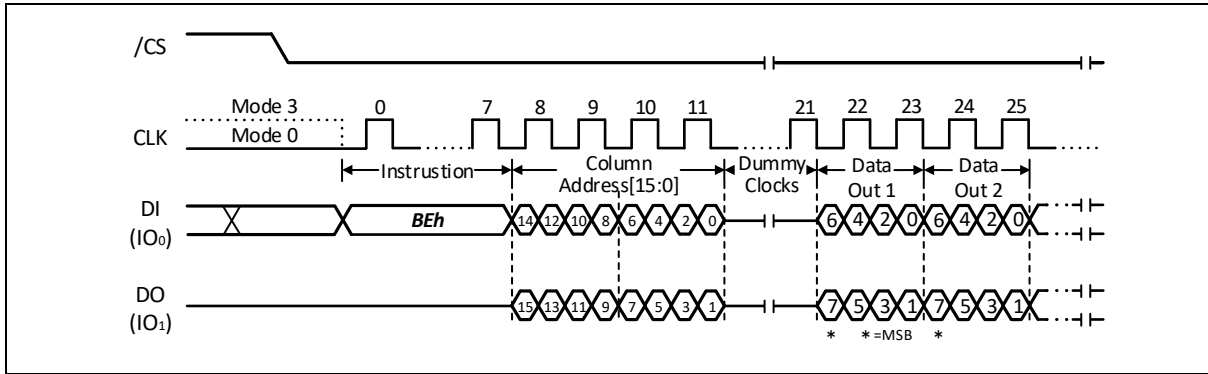


Figure 8-51 DTR Fast Read Dual I/O with 4-Byte Address Instruction (Buffer Read Mode, BUF=1)

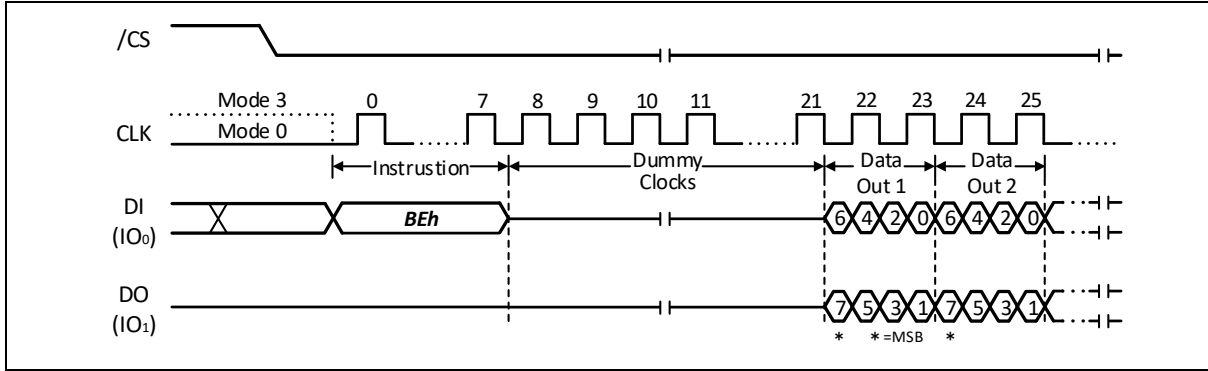


Figure 8-52 DTR Fast Read Dual I/O with 4-Byte Address Instruction (Continuous Read Mode, BUF=0)



8.2.36 DTR Fast Read Quad I/O (EDh)

The DTR Fast Read Quad I/O instruction is similar to the DTR Fast Read Dual I/O (BDh) instruction except that address and data bits are input and output through four pins IO₀, IO₁, IO₂ and IO₃ prior to the data output. The Quad Enable (QE) bit in Status Register-2 must be set to 1 before the device will accept the DTR Fast Read Quad I/O Instruction. The Quad I/O dramatically reduces instruction overhead allowing faster random access for code execution (XIP) directly from the Quad SPI.

When BUF=1, the device is in the Buffer Read Mode. The data output sequence will start from the Data Buffer location specified by the 16-bits Column Address and continue to the end of the Data Buffer. Once the last byte of data is output, the output pin will become Hi-Z state.

When BUF=0, the device is in the Continuous Read Mode, the data output sequence will start from the first byte of the Data Buffer and increment to the next higher address. When the end of the Data Buffer is reached, the data of the first byte of next memory page will be following and continues through the entire memory array. This allows using a single Read instruction to read out the entire memory array and is also compatible to Winbond's SpiFlash NOR flash memory command sequence.

When WP-E bit in the Status Register is set to a 1, this instruction is disabled.

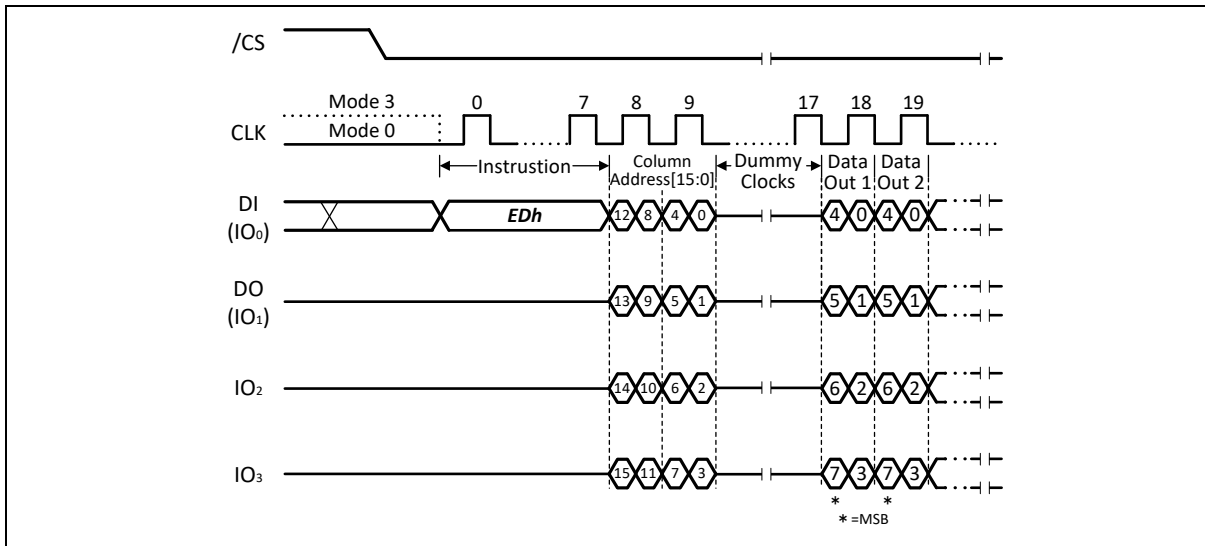


Figure 8-53 DTR Fast Read Quad I/O Instruction (Buffer Read Mode, BUF=1)

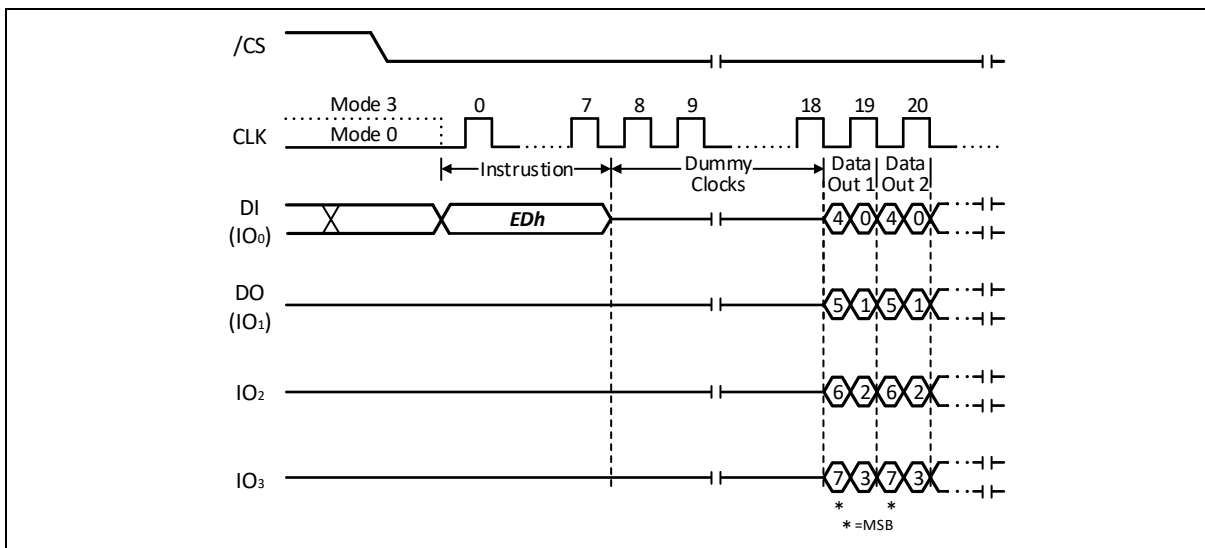


Figure 8-54 DTR Fast Read Quad I/O Instruction (Continuous Read Mode, BUF=0)



8.2.37 DTR Fast Read Quad I/O with 4-Byte Address (EEh)

The DTR Fast Read Quad I/O instruction is similar to the DTR Fast Read Dual I/O (BDh) instruction except that address and data bits are input and output through four pins IO₀, IO₁, IO₂ and IO₃ prior to the data output. The Quad Enable (QE) bit in Status Register-2 must be set to 1 before the device will accept the DTR Fast Read Quad I/O Instruction. The Quad I/O dramatically reduces instruction overhead allowing faster random access for code execution (XIP) directly from the Quad SPI.

When BUF=1, the device is in the Buffer Read Mode. The data output sequence will start from the Data Buffer location specified by the 16-bits Column Address and continue to the end of the Data Buffer. Once the last byte of data is output, the output pin will become Hi-Z state.

When BUF=0, the device is in the Continuous Read Mode, the data output sequence will start from the first byte of the Data Buffer and increment to the next higher address. When the end of the Data Buffer is reached, the data of the first byte of next memory page will be following and continues through the entire memory array. This allows using a single Read instruction to read out the entire memory array and is also compatible to Winbond's SpiFlash NOR flash memory command sequence. When WP-E bit in the Status Register is set to a 1, this instruction is disabled.

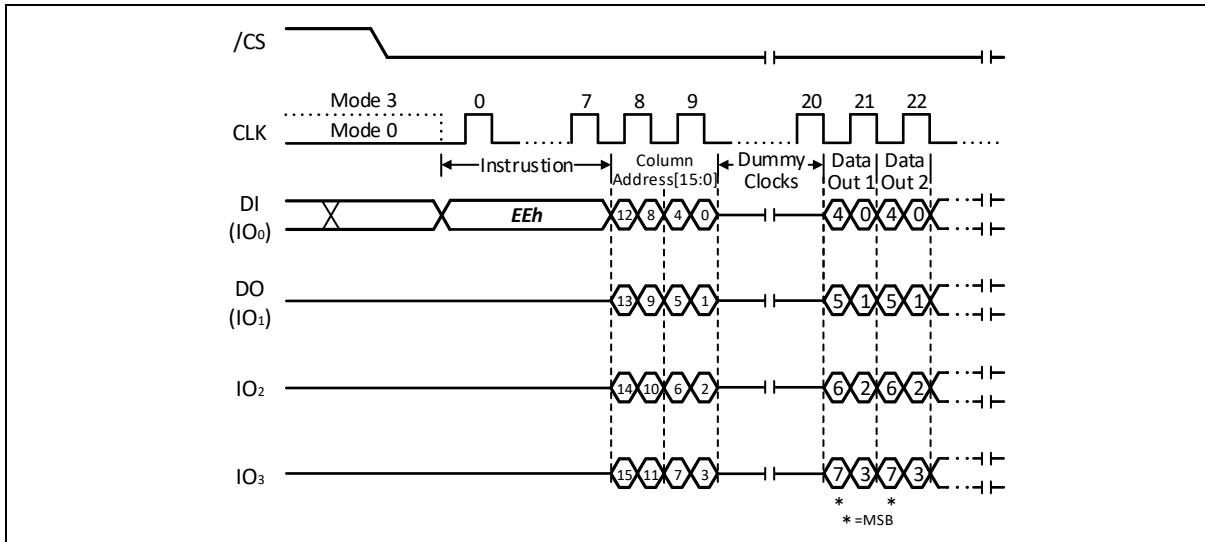


Figure 8-55 DTR Fast Read Quad I/O with 4-Byte Address Instruction (Buffer Read Mode, BUF=1)

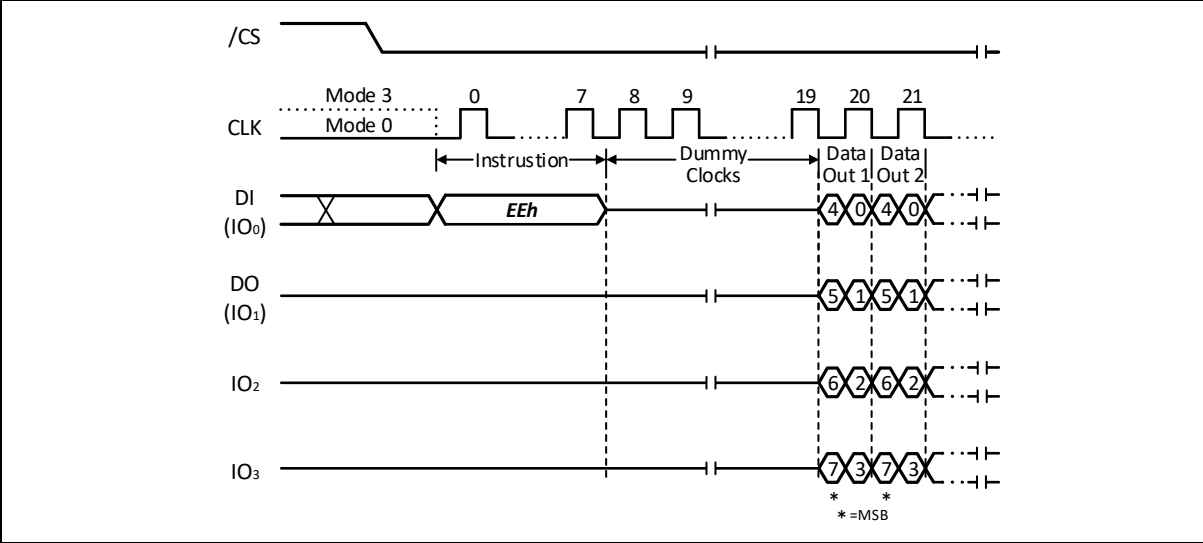


Figure 8-56 DTR Fast Read Quad I/O Instruction (Continuous Read Mode, BUF=0)



8.2.38 Accessing Unique ID / Parameter / OTP Pages (OTP-E=1)

In addition to the main memory array, the W25N01JW is also equipped with one Unique ID Page, one Parameter Page, and ten OTP Pages.

Page Address	Page Name	Descriptions	Data Length
00h	Unique ID Page	Factory programmed, Read Only	32-Byte x 16
01h	Parameter Page	Factory programmed, Read Only	256-Byte x 3
02h	OTP Page [0]	Program Only, OTP lockable	2,112-Byte
...	OTP Pages [1:8]	Program Only, OTP lockable	2,112-Byte
0Bh	OTP Page [9]	Program Only, OTP lockable	2,112-Byte

To access these additional data pages, the OTP-E bit in Status Register-2 must be set to “1” first. Then, Read operations can be performed on Unique ID and Parameter Pages, Read and Program operations can be performed on the OTP pages if it’s not already locked. To return to the main memory array operation, OTP-E bit needs to be set to 0.

Read Operations

A “Page Data Read” command must be issued followed by a specific page address shown in the table above to load the page data into the main Data Buffer. After the device finishes the data loading (BUSY=0), all Read commands may be used to read the Data Buffer starting from any specified Column Address. Please note all Read commands must now follow the “Buffer Read Mode” command structure (CA[15:0], number of dummy clocks) regardless the previous BUF bit setting. ECC can also be enabled for the OTP page read operations to ensure the data integrity.

Program and OTP Lock Operations

OTP pages provide the additional space (2K-Byte x 10) to store important data or security information that can be locked to prevent further modification in the field. These OTP pages are in an erased state set in the factory, and can only be programmed (change data from “1” to “0”) until being locked by OTP-L bit in the Configuration/Status Register-2. OTP-E must be first set to “1” to enable the access to these OTP pages, then the program data must be loaded into the main Data Buffer using any “Program Data Load” commands. The “Program Execute” command followed by a specific OTP Page Address is used to initiate the data transfer from the Data Buffer to the OTP page. When ECC is enabled, ECC calculation will be performed during “Program Execute”, and the ECC information will be stored into the 64-Byte spare area.

Once the OTP pages are correctly programmed, OTP-L bit can be used to permanently lock these pages so that no further modification is possible. While still in the “OTP Access Mode” (OTP-E=1), user needs to set OTP-L bit in the Configuration/Status Register-2 to “1”, and issue a “Program Execute” command without any Page Address. After the device finishes the OTP lock setting (BUSY=0), the user can set OTP-E to “0” to return to the main memory array operation.

SR1-L OTP Lock Operation

The Protection/Status Register-1 contains protection bits that can be set to protect either a portion or the entire memory array from being Programmed/Erased or set the device to either Software Write Protection (WP-E=0) or Hardware Write Protection (WP-E=1). Once the BP[3:0], TB, WP-E bits are set correctly, SRP1 and SRP0 should also be set to “1”s as well to allow SR1-L bit being set to “1” to permanently lock the protection settings in the Status Register-1 (SR1). Similar to the OTP-L setting procedure above, in order to set SR1-L lock bit, the device must enter the “OTP Access Mode” (OTP-E=1) first, and SR1-L bit should be set to “1” prior to the “Program Execute” command without any Page Address. Once SR1-L is set to “1” (BUSY=0), the user can set OTP-E to “0” to return to the main memory array operation.



8.2.39 Parameter Page Data Definitions

The Parameter Page contains 3 identical copies of the 256-Byte Parameter Data. The table below lists all the key data byte locations. All other unspecified byte locations have 00h data as default.

Byte Number	Descriptions	Values
0~3	Parameter page signature	4Fh, 4Eh, 46h, 49h
4~5	Revision number	00h, 00h
6~7	Feature supported	00h, 00h
8~9	Optional command supported	00h, 00h
10~31	Reserved	All 00h
32~43	Device manufacturer	57h, 49h, 4Eh, 42h, 4Fh, 4Eh, 44h, 20h, 20h, 20h, 20h, 20h
44~63	Device model	57h, 32h, 35h, 4Eh, 30h, 31h, 4Ah, 57h, 20h, 20h, 20h, 20h, 20h, 20h, 20h, 20h, 20h, 20h, 20h, 20h
64	JEDEC manufacturer ID	EFh
65~66	Date code	00h, 00h
67~79	Reserved	All 00h
80~83	Number of data bytes per page	00h, 08h, 00h, 00h
84~85	Number of spare bytes per page	40h, 00h
86~91	Reserved	All 00h
92~95	Number of pages per block	40h, 00h, 00h, 00h
96~99	Number of blocks per logical unit	00h, 04h, 00h, 00h
100	Number of logical units	01h
101	Number of address bytes	00h
102	Number of bits per cell	01h
103~104	Bad blocks maximum per unit	14h, 00h
105~106	Block endurance	01h, 05h
107	Guaranteed valid blocks at beginning of target	01h
108~109	Block endurance for guaranteed valid blocks	00h, 00h
110	Number of programs per page	04h
111	Reserved	00h
112	Number of ECC bits	00h
113	Number of plane address bits	00h
114	Multi-plane operation attributes	00h
115~127	Reserved	All 00h
128	I/O pin capacitance, maximum	08h
129~132	Reserved	All 00h
133~134	Maximum page program time (us)	BCh, 02h
135~136	Maximum block erase time (us)	10h, 27h
137~138	Maximum page read time (us)	3Ch, 00h
139~163	Reserved	All 00h
164~165	Vendor specific revision number	00h, 00h
166~253	Vendor specific	All 00h
254~255	Integrity CRC	46h, 44h
256~511	Value of bytes 0~255	
512~767	Value of bytes 0~255	
768+	Reserved	



9. ELECTRICAL CHARACTERISTICS

9.1 Absolute Maximum Ratings ⁽¹⁾

PARAMETERS	SYMBOL	CONDITIONS	RANGE	UNIT
Supply Voltage	VCC		-0.6 to +2.5	V
Voltage Applied to Any Pin	VIO	Relative to Ground	-0.6 to VCC+0.4	V
Transient Voltage on any Pin	VIOT	<20nS Transient Relative to Ground	-2.0 to VCC+2.0	V
Storage Temperature	TSTG		-65 to +150	°C
Lead Temperature	TLEAD		See Note ⁽²⁾	°C
Electrostatic Discharge Voltage	VESD	Human Body Model ⁽³⁾	-2000 to +2000	V

Notes:

1. This device has been designed and tested for the specified operation ranges. Proper operation outside of these levels is not guaranteed. Exposure to absolute maximum ratings may affect device reliability. Exposure beyond absolute maximum ratings may cause permanent damage.
2. Compliant with JEDEC Standard J-STD-20C for small body Sn-Pb or Pb-free (Green) assembly and the European directive on restrictions on hazardous substances (RoHS) 2002/95/EU.
3. JEDEC Standard JESD22-A114A (C1=100pF, R1=1500 ohms, R2=500 ohms).

9.2 Operating Ranges

PARAMETER	SYMBOL	CONDITIONS	SPEC		UNIT
			MIN	MAX	
Supply Voltage	VCC		1.70	1.95	V
Ambient Temperature, Operating	TA	Industrial	-40	+85	°C
		Industrial Plus		+105	



9.3 Power-up Power-down Timing Requirements

PARAMETER	SYMBOL	SPEC		UNIT
		MIN	MAX	
VCC (min) to device fully accessible	tVSL ⁽¹⁾	200		μs
Time Delay Before Write Instruction	tPUW ⁽¹⁾	1		ms

Note:

1. These parameters are characterized only.

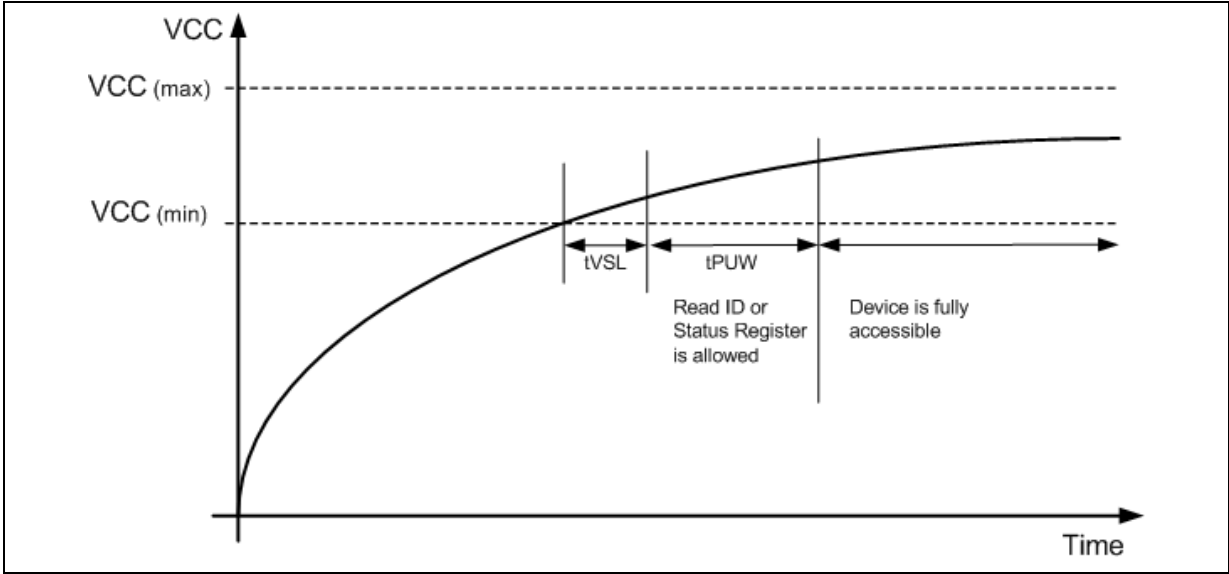


Figure 9-1 Power-up Timing and Voltage Levels

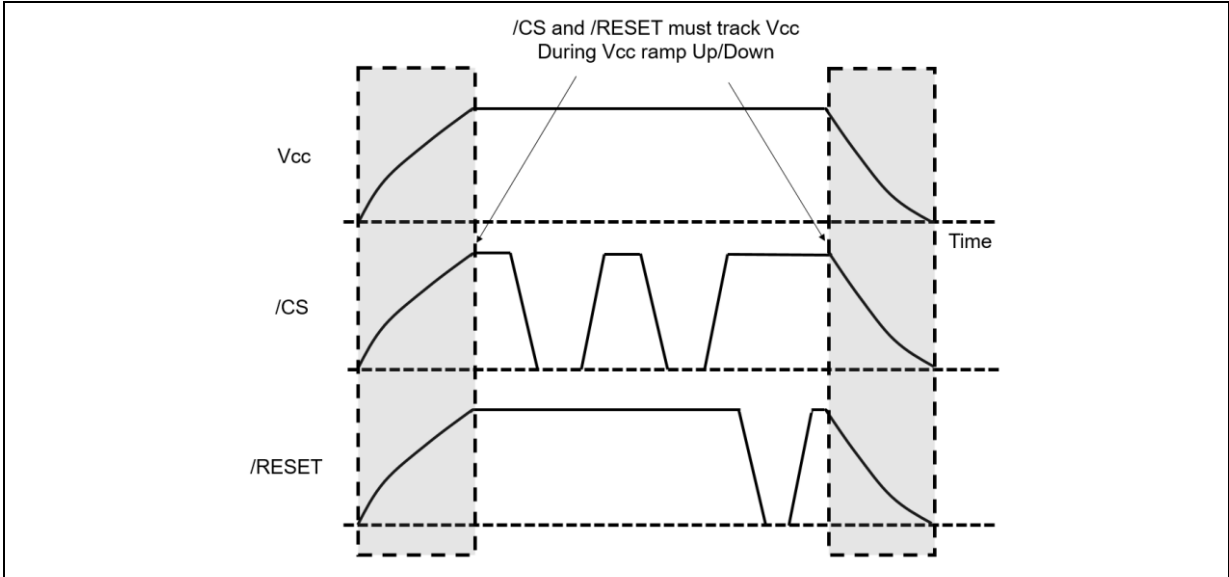


Figure 9-2 Power-up, Power-Down Requirement



9.4 DC Electrical Characteristics

PARAMETER	SYMBOL	CONDITIONS	SPEC			UNIT
			MIN	TYP	MAX	
Input Capacitance	C _{IN} ⁽¹⁾	V _{IN} = 0V ⁽¹⁾			6	pF
Output Capacitance	C _{OUT} ⁽¹⁾	V _{OUT} = 0V ⁽¹⁾			8	pF
Input Leakage	I _{LI}				±2	μA
I/O Leakage	I _{LO}				±2	μA
Standby Current	I _{CC1}	/CS = VCC, VIN = GND or VCC (<85°C)		10	150	μA
		/CS = VCC, VIN = GND or VCC (105°C)			400	
Deep Power-down Current	I _{CC2}	/CS = VCC, VIN = GND or VCC (<85°C)		1	150	μA
		/CS = VCC, VIN = GND or VCC (105°C)			400	
Read Current (Fast Read)	I _{CC3}	C = 0.1 VCC / 0.9 VCC at 166MHz STR, DO = Open		15	25	mA
Read Current (Fast Read Dual I/O)	I _{CC3}	C = 0.1 VCC / 0.9 VCC at 166MHz STR, DO = Open		20	30	mA
Read Current (Fast Read Quad I/O)	I _{CC3}	C = 0.1 VCC / 0.9 VCC at 166MHz STR or 80MHz DTR, DO = Open		25	35	mA
Current Page Program	I _{CC4}	/CS = VCC		25	35	mA
Current Block Erase	I _{CC5}	/CS = VCC		25	35	mA
Input Low Voltage	V _{IL}		-0.3		VCC x 0.2	V
Input High Voltage	V _{IH}		VCC x 0.8		VCC + 0.3	V
Output Low Voltage	V _{OL}	I _{OL} = 100μA			0.2	V
Output High Voltage	V _{OH}	I _{OH} = -100 μA	VCC-0.2			V

Notes:

1. Tested on sample basis and specified through design and characterization data. TA = 25° C, VCC = 1.8V.



9.5 AC Measurement Conditions

PARAMETER	SYMBOL	SPEC		UNIT
		MIN	MAX	
Load Capacitance	CL		30	pF
Input Rise and Fall Times	TR, TF		1.5	ns
Input Pulse Voltages	VIN	0.1 VCC to 0.9 VCC		V
Input Timing Reference Voltages	IN	0.3 VCC to 0.7 VCC		V
Output Timing Reference Voltages	OUT	0.5 VCC		V

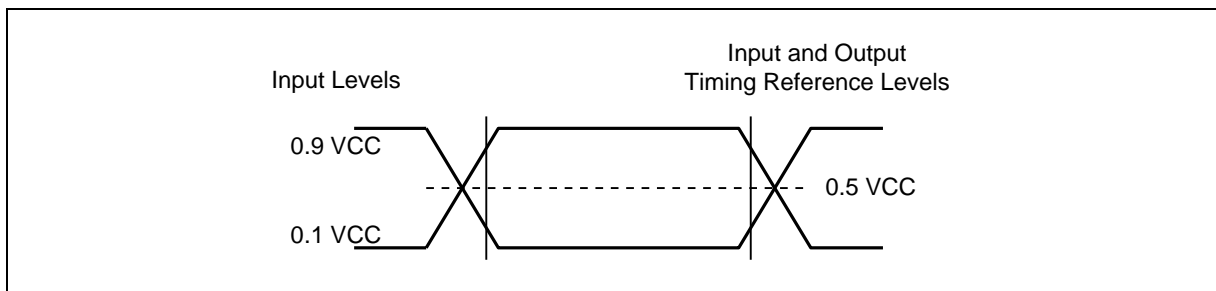


Figure 9-3 AC Measurement I/O Waveform

9.6 AC Electrical Characteristics ⁽³⁾

DESCRIPTION	SYMBOL	ALT	DATA TRANSFER RATE	SPEC			UNIT
				MIN	TYP	MAX	
Clock frequency for all instructions except for Read Data (03h) & DTR instructions	F _R	f _{C1}	STR only	D.C.		166	MHz
Clock frequency for DTR instructions	F _R	f _{C1}	DTR only	D.C.		80	MHz
Clock frequency for Read Data instruction (03h)	f _R		STR only	D.C.		54	MHz
Clock High, Low Time for all instructions	t _{CLH} , t _{CLL} ⁽¹⁾		STR	0.45 × 1/ F _R			ns
			DTR				
Clock Rise Time peak to peak	t _{CLCH} ⁽²⁾		STR/DTR	0.1			V/ns
Clock Fall Time peak to peak	t _{CHCL} ⁽²⁾		STR/DTR	0.1			V/ns
/CS Active Setup Time relative to CLK	t _{SLCH}	t _{CSS}	STR/DTR	5			ns
/CS Not Active Hold Time relative to CLK	t _{CHSL}		STR/DTR	5			ns
Data In Setup Time	t _{DVCH}	t _{DSU}	STR/DTR	2			ns
	t _{DVCL}		DTR only	2			
Data In Hold Time	t _{CHDX}	t _{DH}	STR/DTR	2			ns
	t _{CLDX}		DTR only	2			
/CS Active Hold Time relative to CLK	t _{CHSH}		STR	3			ns
			DTR	6			
/CS Active Hold Time relative to CLK LOW	t _{CLSH}		DTR only	3			ns
/CS Not Active Setup Time relative to CLK	t _{SHCH}		STR	3			ns
			DTR	6			
/CS Deselect Time (for Array Read → Array Read)	t _{SHSL1}	t _{CSH}	STR/DTR	10			ns
/CS Deselect Time (for Erase, Program or Read Status Registers → Read Status Registers)	t _{SHSL2}	t _{CSH}	STR/DTR	50			ns
Output Disable Time	t _{SHQZ} ⁽²⁾	t _{DIS}	STR/DTR			7	ns
Clock Low to Output Valid	t _{CLQV}	t _V	STR/DTR			6	ns
Clock High to Output Valid	t _{CHQV}		DTR only			6	ns
Output Hold Time	t _{CLQX}	t _{HO}	STR/DTR	1			ns
Output Hold Time	t _{CHQX}		DTR only	1			ns

Continued – next page

W25N01JWxxIG/IT



AC Electrical Characteristics (cont'd)

DESCRIPTION	SYMBOL	ALT	DATA TRANSFER RATE	SPEC			UNIT
				MIN	TYP	MAX	
/HOLD Active Setup Time relative to CLK	tHLCH		STR	2.7			ns
/HOLD Active Hold Time relative to CLK	tCHHH		STR	2.7			ns
/HOLD Not Active Setup Time relative to CLK	tHHCH		STR	2.7			ns
/HOLD Not Active Hold Time relative to CLK	tCHHL		STR	2.7			ns
/HOLD to Output Low-Z	tHHQX ⁽²⁾	tLZ	STR			7	ns
/HOLD to Output High-Z	tHLQZ ⁽²⁾	tHZ	STR			12	ns
Write Protect Setup Time Before /CS Low	tWHSL		STR/DTR	20			ns
Write Protect Hold Time After /CS High	tSHWL		STR/DTR	100			ns
Status Register Write Time	tw		STR/DTR			50	ns
Clock High to Deep Power-down	tDP		STR/DTR			10	μs
Clock High to Release Deep Power-down	tRES1		STR/DTR			80	μs
/CS High to next Instruction after Reset during Page Data Read / Program Execute / Block Erase	tRST ⁽²⁾ (3)		STR/DTR			5/10/500	μs
/RESET pin Low period to reset the device	tRESET ⁽²⁾		STR/DTR	1			us
Read Page Data Time (ECC disabled)	tRD1		STR/DTR			25	μs
Read Page Data Time (ECC enabled)	tRD2		STR/DTR			60	μs
Page Program, OTP Lock, BBM Management Time	tPP		STR/DTR		250	700	us
Block Erase Time	tBE		STR/DTR		2	10	ms
Number of partial page programs	NoP		STR/DTR			4	times

Notes:

1. Clock high + Clock low must be less than or equal to 1/fc.
2. Value guaranteed by design and/or characterization, not 100% tested in production.
3. The product which re-loads page0 data after Reset takes tRST + tRD busy time.
4. Tested on sample basis and specified through design and characterization data. TA = 25° C, VCC = 1.8V.
5. AC electrical characteristics is based on default setting of ODS.



9.7 Serial Output Timing

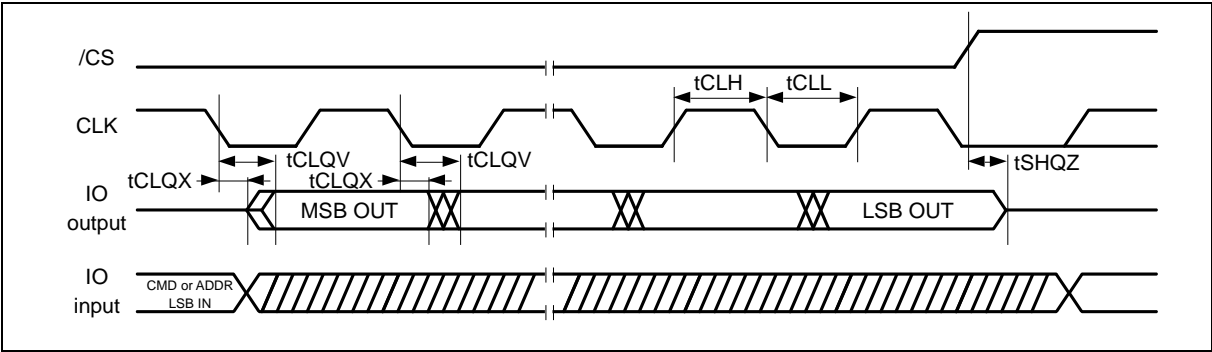


Figure 9-4 Serial Output Timing (STR)

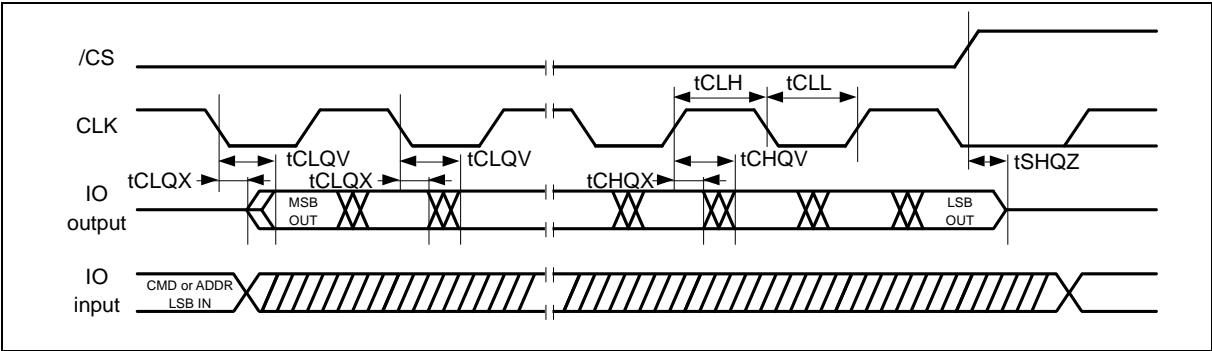


Figure 9-5 Serial Output Timing (DTR)

9.8 Serial Input Timing

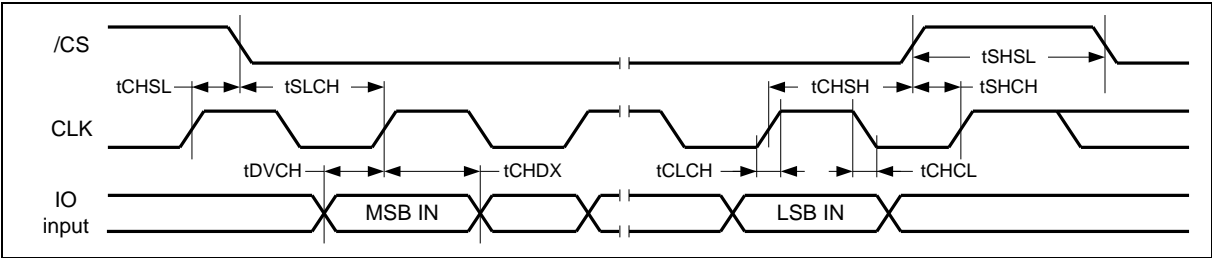


Figure 9-6 Serial Input Timing (STR)

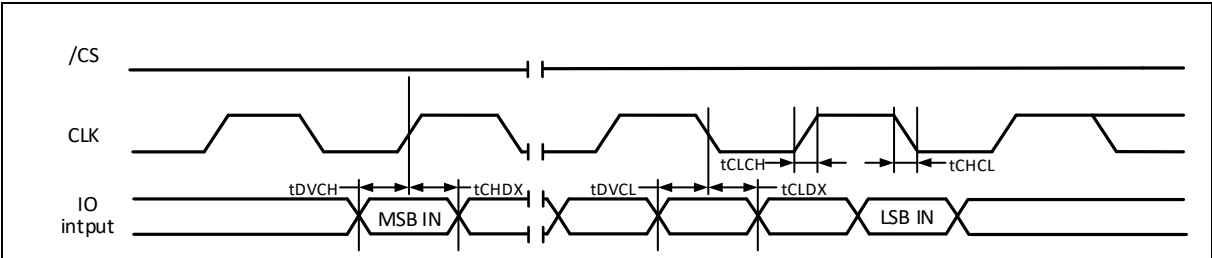


Figure 9-7 Serial Input Timing (DTR)



9.9 /HOLD Timing

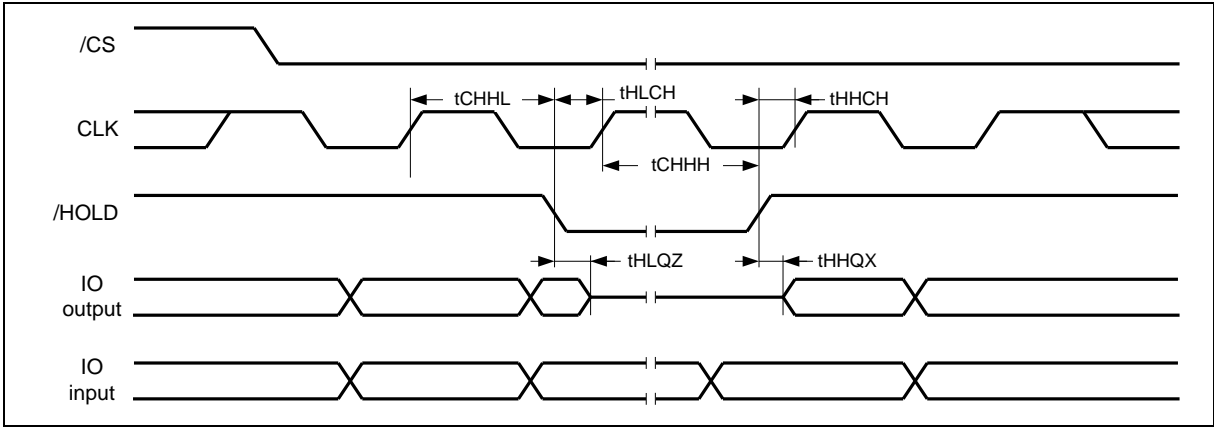


Figure 9-8 /HOLD Timing

9.10 /WP Timing

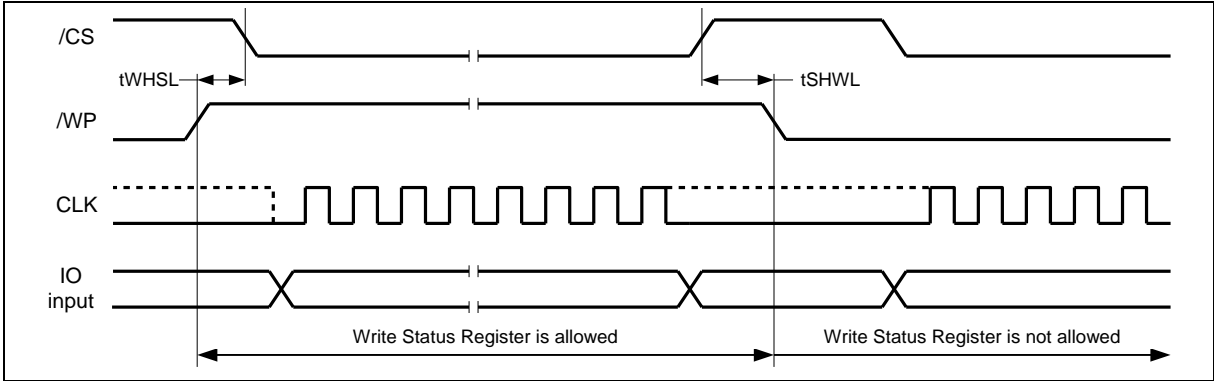


Figure 9-9 /WP Timing



10. INVALID BLOCK MANAGEMENT

10.1 Invalid Blocks

The W25N01JW may have initial invalid blocks when it ships from factory. Also, additional invalid blocks may develop during the use of the device. Nvb represents the minimum number of valid blocks in the total number of available blocks. An invalid block is defined as blocks that contain one or more bad bits. Block 0, block address 00h is guaranteed to be a valid block at the time of shipment.

Parameter	Symbol	Min	Max	Unit
Valid block number	Nvb	1004	1024	blocks

10.2 Initial Invalid Blocks

Initial invalid blocks are defined as blocks that contain one or more invalid bits when shipped from factory.

Although the device contains initial invalid blocks, a valid block of the device is of the same quality and reliability as all valid blocks in the device with reference to AC and DC specifications. The W25N01JW has internal circuits to isolate each block from other blocks and therefore, the invalid blocks will not affect the performance of the entire device.

Before the device is shipped from the factory, it will be erased and invalid blocks are marked. All initial invalid blocks are marked with non-FFh at the 1st byte of main array and the 1st byte of spare area on the 1st page. The initial invalid block information cannot be recovered if inadvertently erased. Therefore, software should be created to initially check for invalid blocks by reading the marked locations before performing any program or erase operation, and create a table of initial invalid blocks as following flow chart.

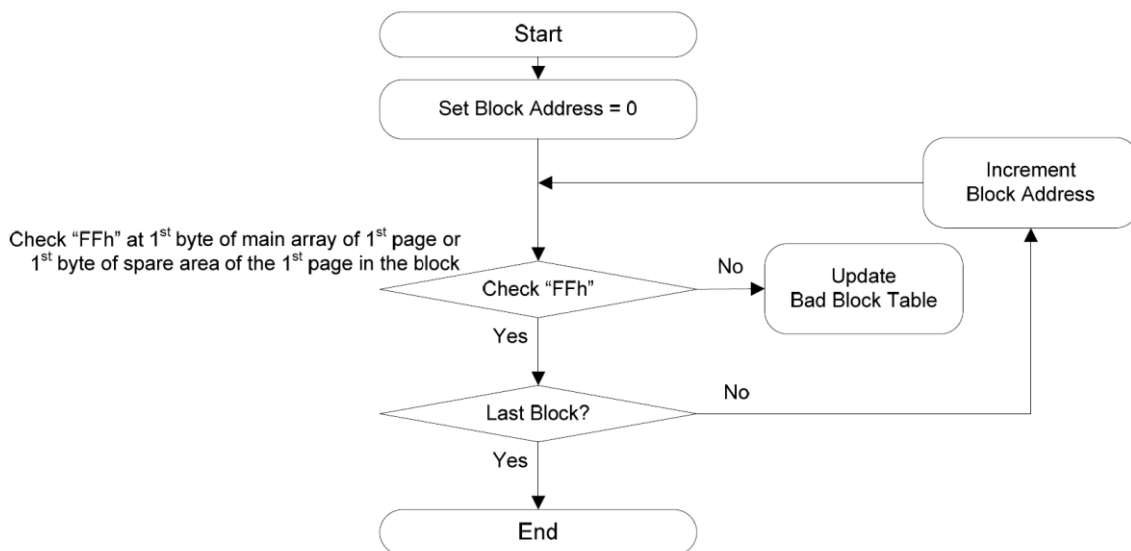


Figure 10-1 Flow Chart of Create Initial Invalid Block Table



11. PACKAGE SPECIFICATIONS

11.1 8-Pad WSON 8x6-mm (Package Code ZE)

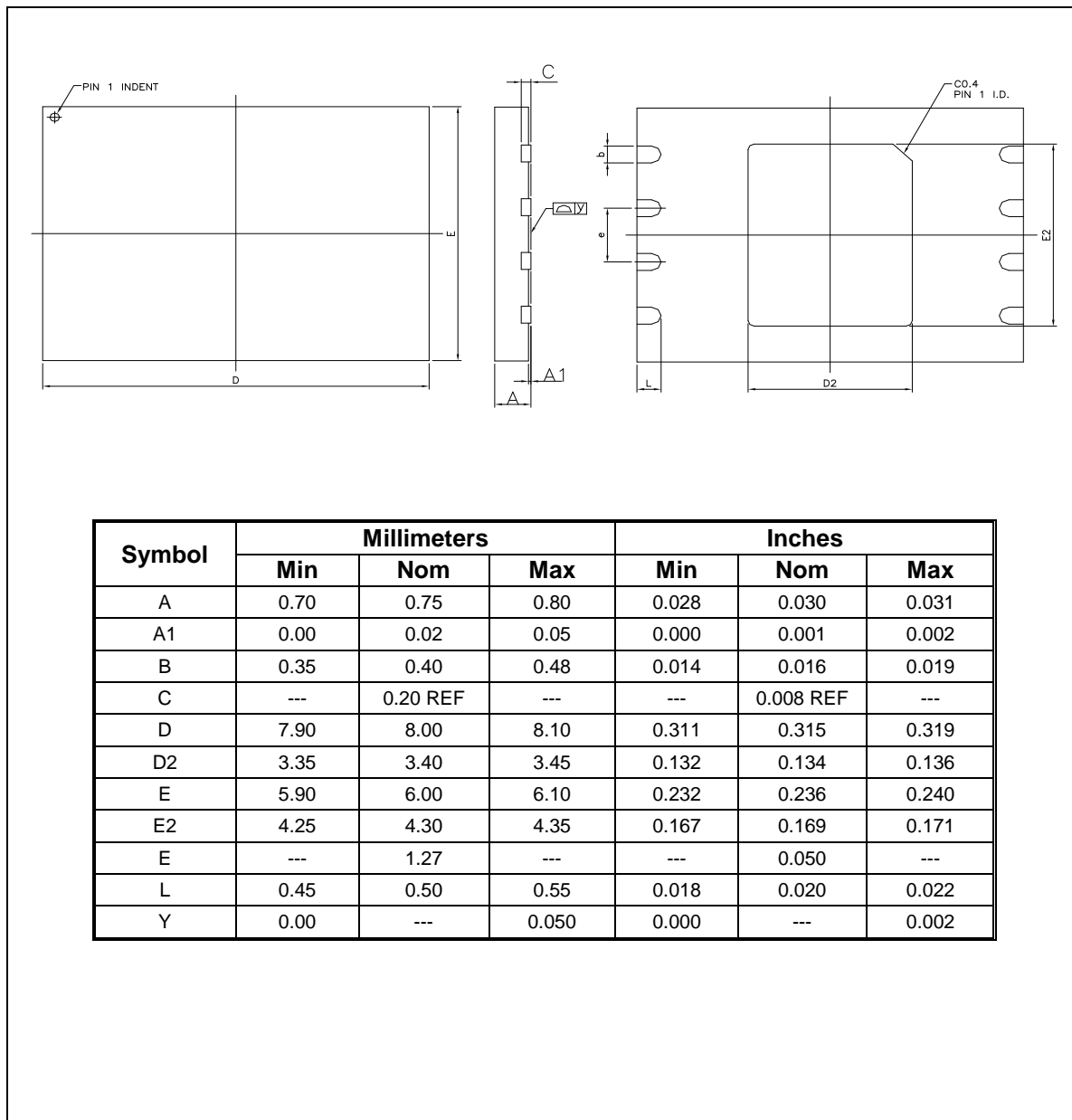


Figure 11-1 8-Pad WSON 8x6-mm (Package Code ZE)



11.2 16-Pin SOIC 300mil (Package Code SF)

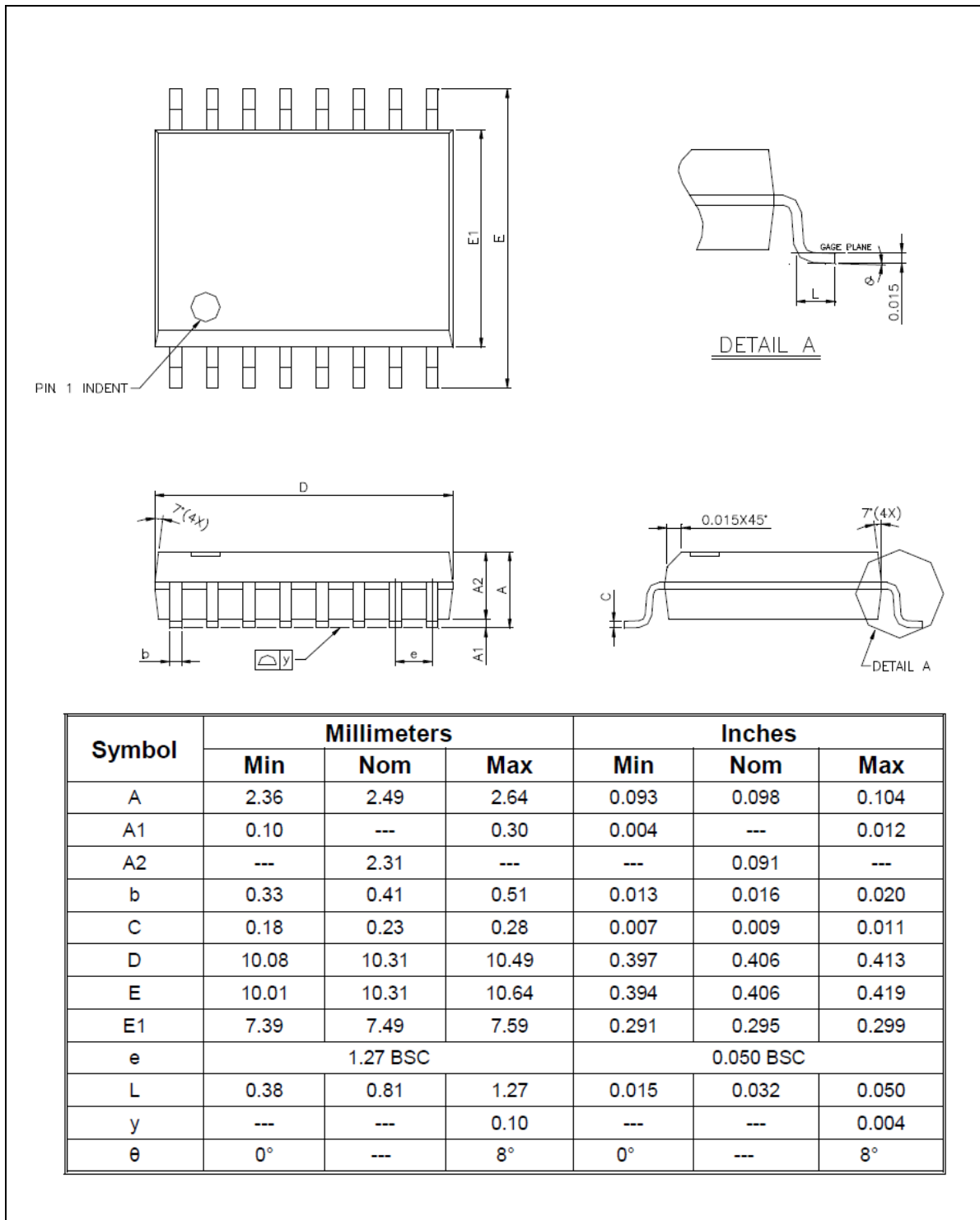


Figure 11-2 16-Pin SOIC 300mil (Package Code SF)

W25N01JW_{xx}IG/IT



11.3 24-Ball TFBGA 8x6-mm (Package Code TB, 5x5-1 Ball Array)

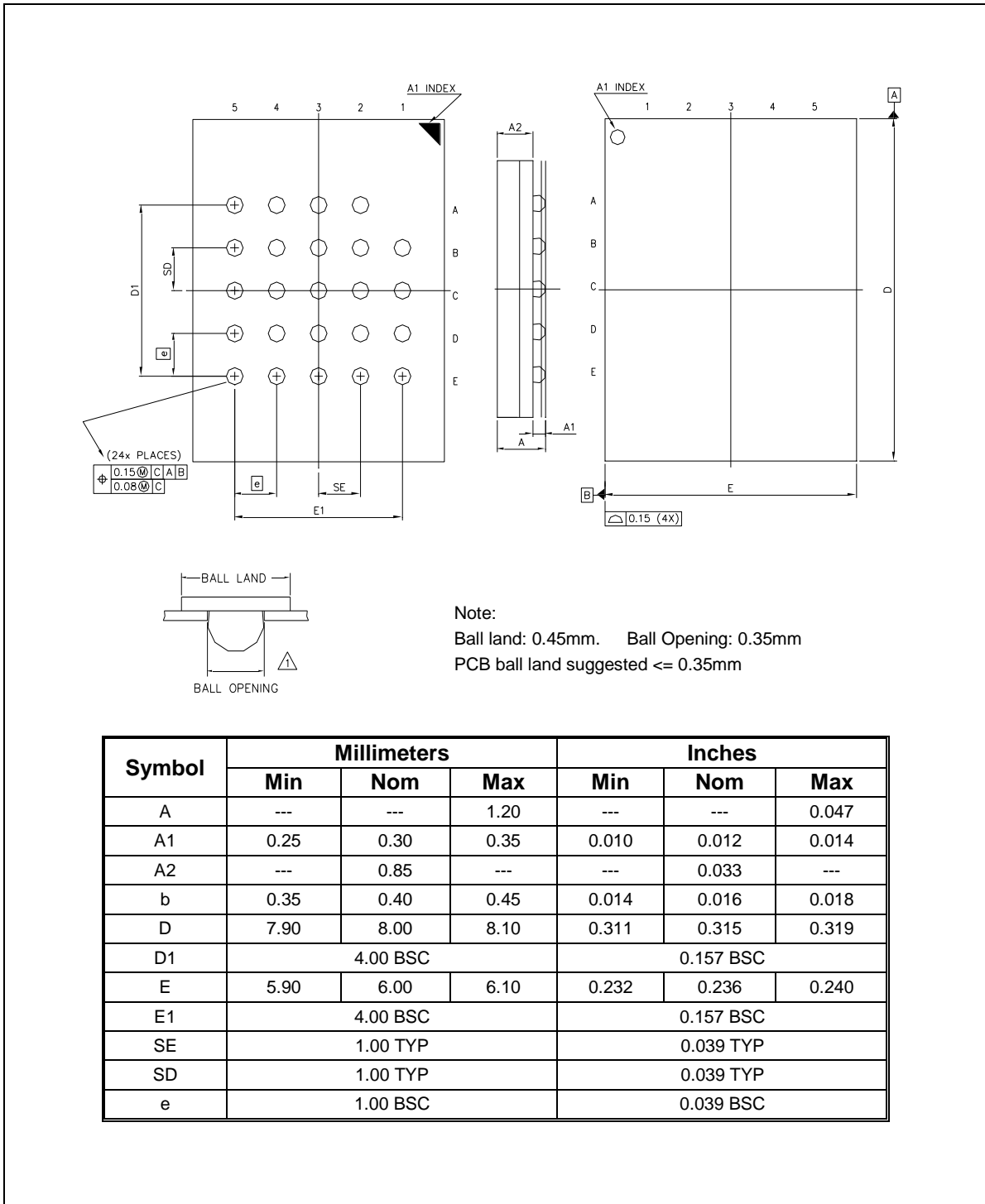
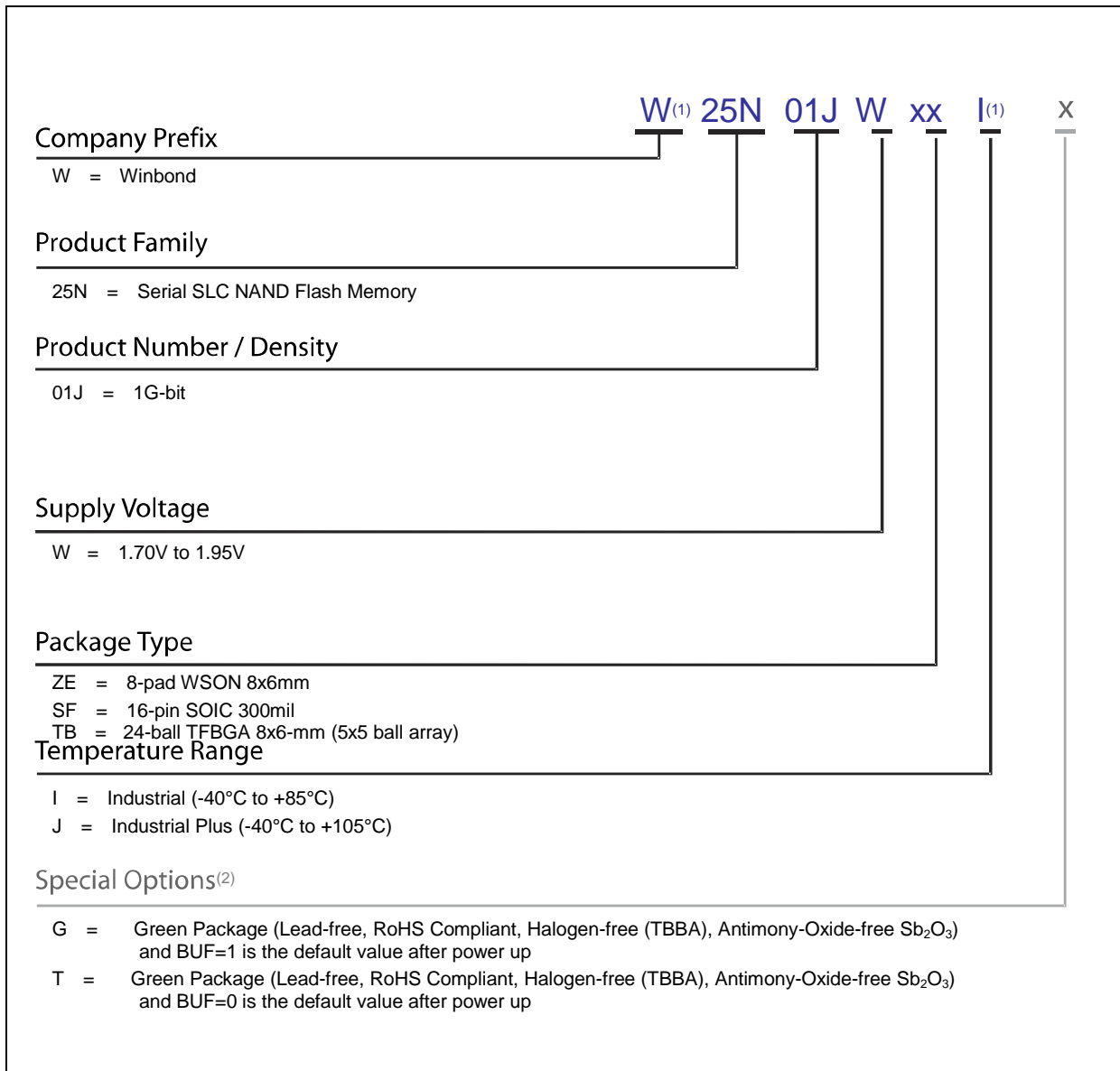


Figure 11-3 24-Ball TFBGA 8x6-mm (Package Code TB, 5x5-1 Ball Array)



12. ORDERING INFORMATION



Notes:

1. The "W" prefix is not included on the part marking.
2. Standard bulk shipments are in tray for WSON and TFBGA packages. For other packing options, please specify when placing orders.

W25N01JWxxIG/IT



12.1 Valid Part Numbers and Top Side Marking

The following table provides the valid part numbers for the W25N01JW SpiFlash Memory. Please contact Winbond for specific availability by density and package type. Winbond SpiFlash memories use a 12-digit Product Number for ordering. However, due to limited space, the Top Side Marking on all packages uses an abbreviated 11-digit number.

Industrial Grade:

PACKAGE TYPE	DENSITY	PRODUCT NUMBER	TOP SIDE MARKING
ZE WSON-8 8x6mm	1G-bit	W25N01JWZEIG W25N01JWZEIT	25N01JWZEIG 25N01JWZEIT
SF SOIC-16 300mil	1G-bit	W25N01JWSFIG W25N01JWSFIT	25N01JWSFIG 25N01JWSFIT
TB TFBGA-24 8x6mm (5x5-1 Ball Array)	1G-bit	W25N01JWTBIG W25N01JWTBIT	25N01JWTBIG 25N01JWTBIT

Industrial Plus Grade:

PACKAGE TYPE	DENSITY	PRODUCT NUMBER	TOP SIDE MARKING
ZE WSON-8 8x6mm	1G-bit	W25N01JWZEJG W25N01JWZEJT	25N01JWZEJG 25N01JWZEJT
SF SOIC-16 300mil	1G-bit	W25N01JWSFJG W25N01JWSFJT	25N01JWSFJG 25N01JWSFJT
TB TFBGA-24 8x6mm (5x5-1 Ball Array)	1G-bit	W25N01JWTBJG W25N01JWTBJT	25N01JWTBJG 25N01JWTBJT

Note:

W25N01JWxxIG: BUF=1 (Buffer Read Mode) is the default value after power up. BUF bit can be written to 0.

W25N01JWxxIT: BUF=0 (Continuous Read Mode) is the default value after power up. BUF bit can be written to 1.